

WARNING: DISCONNECT POWER AT THE MAIN FUSE BOX BEFORE INSTALLATION.

WARNING:

This fixture is intended for installation in accordance with the National Electrical Code (NEC) and all local code specifications. If you are not familiar with code requirements, installation by a certified electrician is recommended.

Before assembly, remove all parts and part packages from box. If anything is missing, please contact the retailer from which the product was purchased.

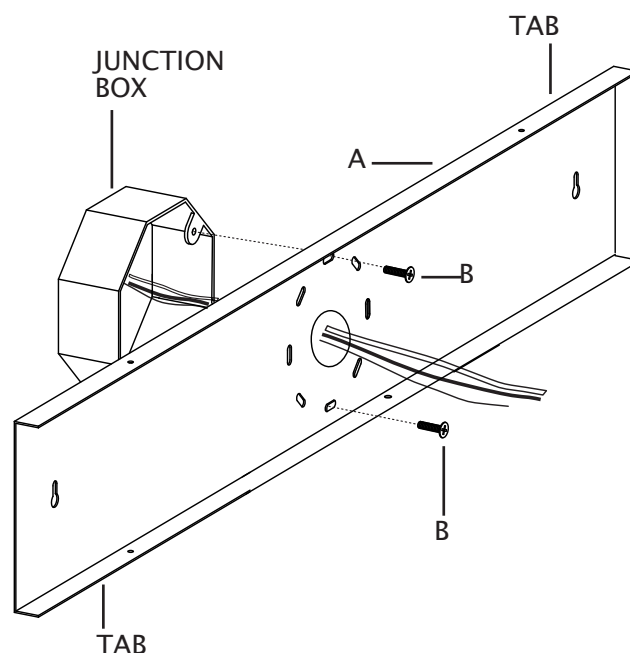


ANY QUESTIONS CALL: 800-613-3261
M-F 8:00AM-6:00PM ET

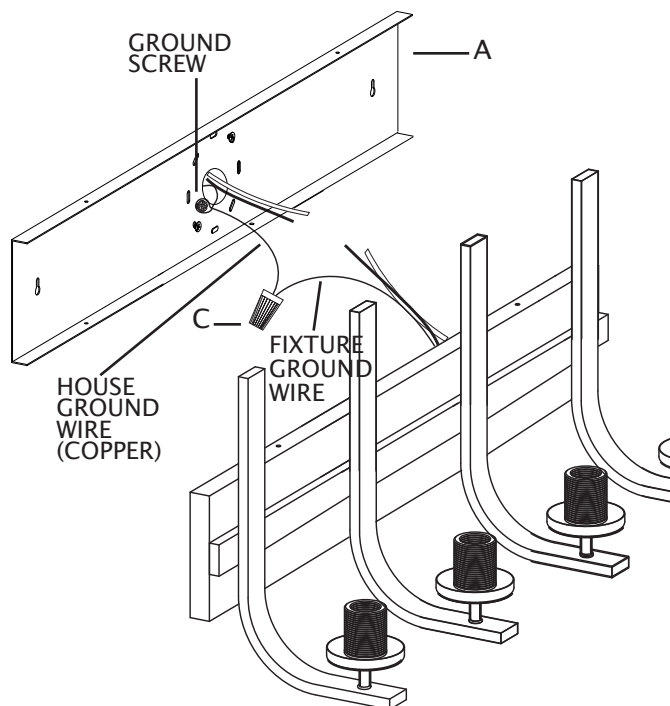
ITEM#: SL715478

1. Hold mounting bracket (A) so tabs on mounting bracket (A) are on the top and bottom and facing out.
2. Carefully pull house wires out of junction box and pass house wires through large center hole in mounting bracket (A).
3. Align holes in the center of mounting bracket (A) with holes in junction box.
4. Thread each junction box screw (B) into holes in center of mounting bracket (A) and into holes in junction box. Tighten junction box screws (B) to attach mounting bracket (A) to junction box.

CAUTION: Ensure house wires are pulled completely through hole in mounting bracket. **DO NOT** pinch wires between mounting bracket and wall.



5. Strip 3/4" of insulation from ends of fixture wires.
6. Slightly loosen ground screw on mounting bracket (A). Do not completely remove ground screw. Wrap house ground wire (copper) around ground screw, leaving enough ground wire to attach to fixture ground wire. Twist end of fixture ground wire and end of house ground wire together. Twist wire connector (C) onto ends of wires. Completely tighten wire connector (C). Reference chart below for correct wire connections.



Connect Supply (House) Ground Copper Wire to:

Bare Copper Wire or,

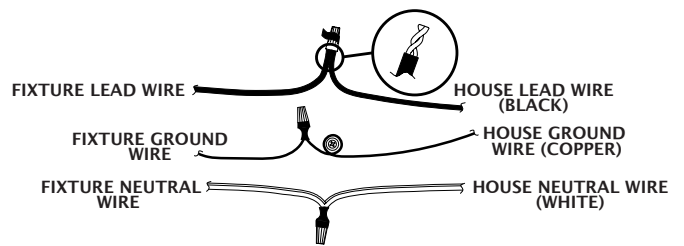
Bare Silver Wire or,

Green Insulated Wire.

7. Twist end of house lead wire (black) and end of fixture lead wire together. Twist wire connector (C) onto ends of wires. Completely tighten wire connector (C). Twist end of house neutral wire (white) and end of fixture neutral wire together. Twist wire connector (C) onto ends of wires. Completely tighten wire connector (C). Reference chart to the right for correct wire connections.
8. Wrap electrical tape (not included) around wire connectors (C) and wires. Ensure wires are securely fastened into wire connectors.
9. Carefully push all wires and wire connectors into junction box.

Connect Black Lead Supply (House) Wire to:	Connect White Neutral Supply (House) Wire to:
Black Wire or,	White Wire or,
*Parallel Cord (Round and Smooth) or,	*Parallel Cord (Square and Ridged) or,
No printed words on wire insulation or,	Printed words on wire insulation or,
Insulated Wire (other than green) with Copper Conductor.	Insulated Wire (other than green) with Silver Conductor.

*When parallel wire (SPT 1 & SPT 2) is used:
The lead wire is round in shape or smooth.
The neutral wire is square in shape or ridged.



10. Place backplate (D) over mounting bracket (A).
CAUTION: Do not pinch wires between backplate and wall.
11. Align holes in top and bottom of backplate (D) with holes in tabs on mounting bracket (A). Thread one fixture mounting screw (E) into each hole in top and bottom of backplate (D) and into holes in tabs on mounting bracket (A). Tighten fixture mounting screws (E) to secure fixture to wall.
12. Lower shade (K) down over socket. Pass hole in bottom of shade (K) over socket. Slip spacer (M) over socket. Thread socket ring (L) onto socket. Tighten socket ring (L) to secure shade (K) in place. DO NOT over tighten. Repeat this step for remaining shades (K).
13. Screw recommended bulbs (E26 Edison bulb type, not included) into sockets. Verify correct bulb wattage marked on socket of fixture.
WARNING: DO NOT exceed maximum bulb wattage.

