

COMPONENTS AND HARDWARES :

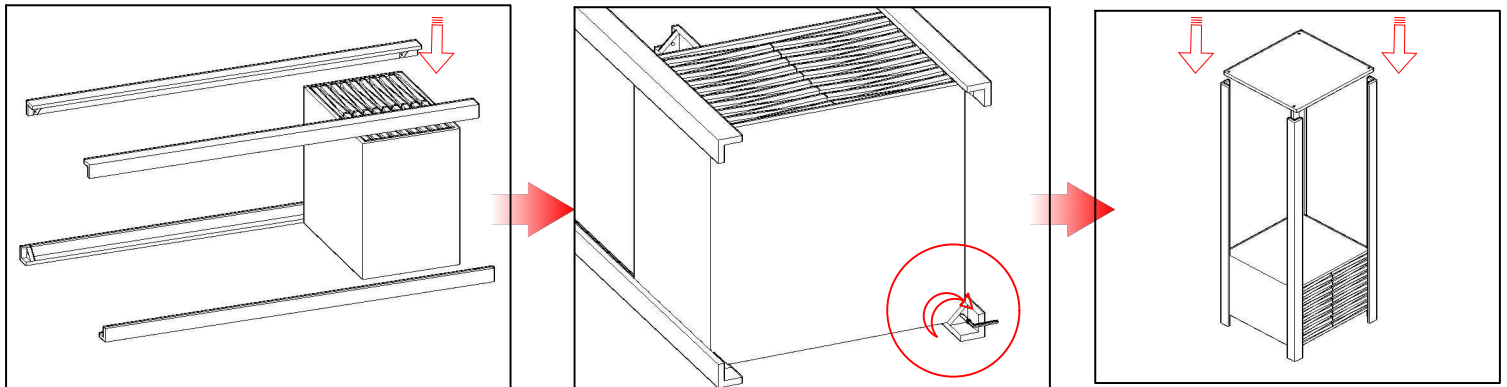
All components and parts must be coded with stickers.



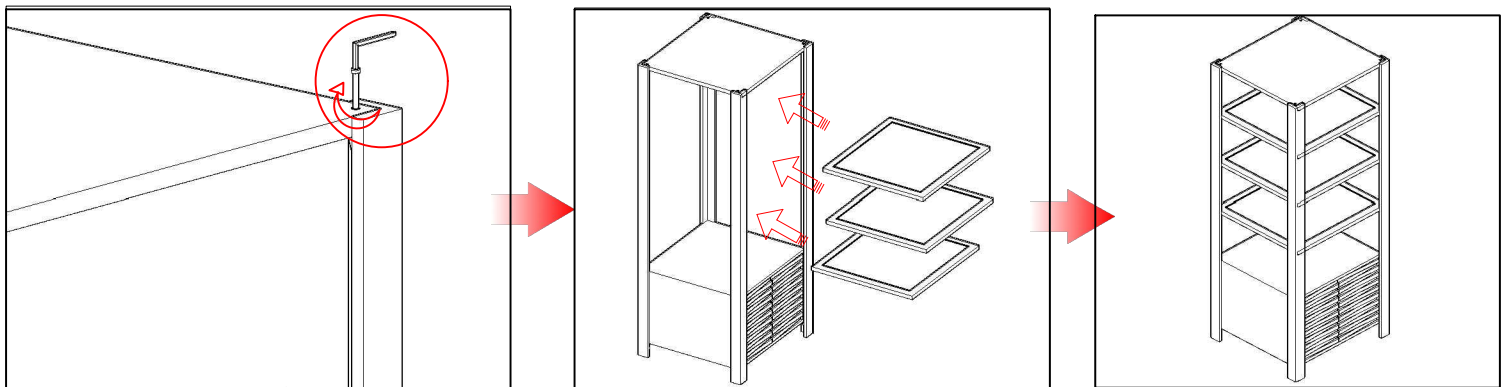
<p>4 Wooden post</p>	<p>1 Upper box</p>	<p>3 Glass self</p>	<p>1 Wooden top</p>
<p>4 Small Allen bolts for base</p>	<p>8 Medium Allen bolts for upper box</p>	<p>4 Large Allen bolts for top</p>	<p>1 Allen key</p>

ASSEMBLY STEPS

1. Set wooden post on the bottom side of Upper box as coded with sticker as shown.
2. Set Small allen bolt to join wooden post with Upper box, then fasten allen bolts with allen key
3. Set Medium allen bolt in the upper box to join wooden post with Upper box, then fasten allen bolts with allen key
4. Set wooden top on the top side of wooden post as coded with sticker as shown.



5. Set Large allen bolt to join wooden post with Wooden top, then fasten allen bolts with allen key
6. Set Glass self on the Middle side of Wooden post as coded with sticker as shown.
7. The Bookcase is ready to use.



CHECKED BY



1. This item is knocked down. please DON'T slide this item, Lift it to avoid damage .
2. Do not over tighten. It will cause the screw to break or get loose.