

WARNING: DISCONNECT POWER AT THE MAIN FUSE BOX BEFORE INSTALLATION.

WARNING:

This fixture is intended for installation in accordance with the National Electrical Code (NEC) and all local code specifications. If you are not familiar with code requirements, installation by a certified electrician is recommended.

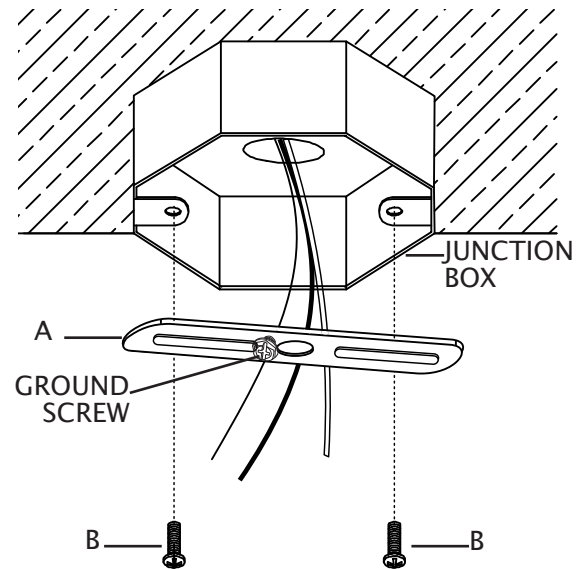
Before assembly, remove all parts and part packages from box. If anything is missing, please contact the retailer from which the product was purchased.

elk HOME

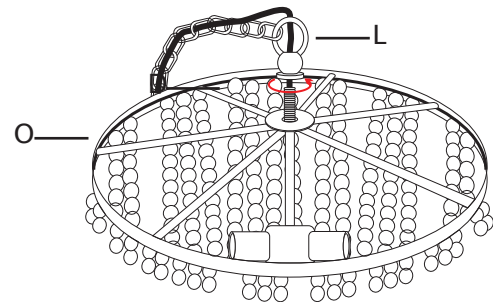
ANY QUESTIONS CALL: 800-613-3261
M-F 8:00AM-6:00PM ET

ITEM#: H0808-7613

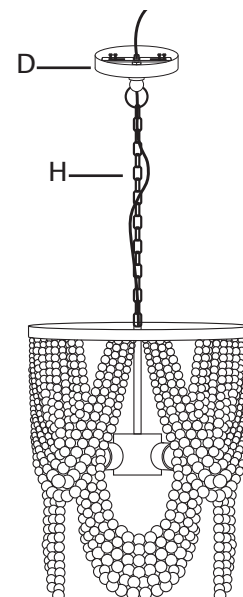
1. Carefully pull house wires down out of junction box so house wires are easily accessible to connect fixture wires.
2. Hold mounting bracket so head of ground screw is pointing down towards floor.
3. Place mounting bracket (A) up against junction box. Align each slot in mounting bracket (A) with each hole in junction box.
4. Thread one junction box screw (B) into each slot in mounting bracket (A) and into holes in junction box. Tighten junction box screws (B) to secure mounting bracket (A) to junction box. **DO NOT** pinch wires between mounting bracket and ceiling. **IMPORTANT:** House wires should fit around the mounting strap. House wires should not go through the center hole of the mounting strap.



5. Thread loop (L) onto threaded pipe on top of fixture body (O).

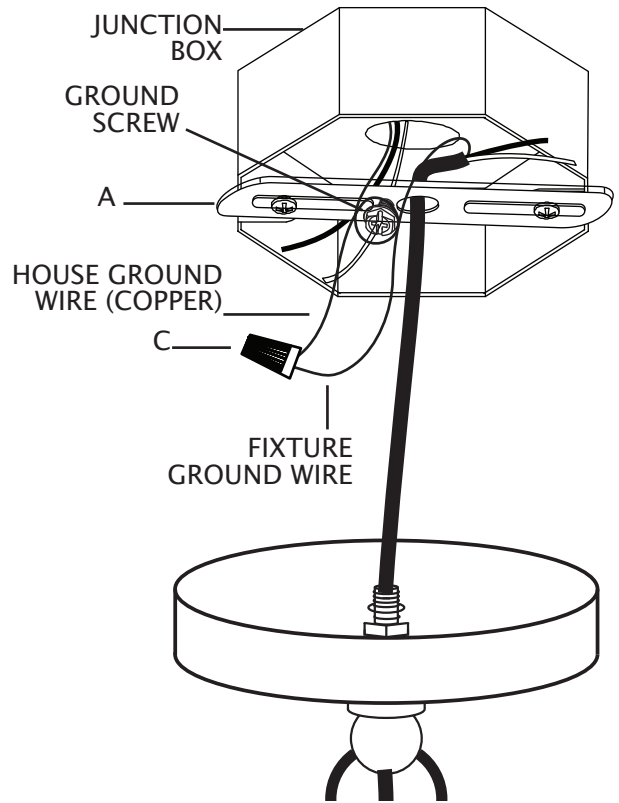


6. Determine desired hanging height of fixture. Cut chain (H) to length to achieve desired height.
7. Slip one chain link at end of chain (H) onto loop on top of fixture body (O).
8. Slip chain link at other end of chain onto loop on canopy (D).
9. Weave fixture wires through chain links, skipping every other chain link.
10. Carefully push fixture wires up through hole in center of canopy (D).



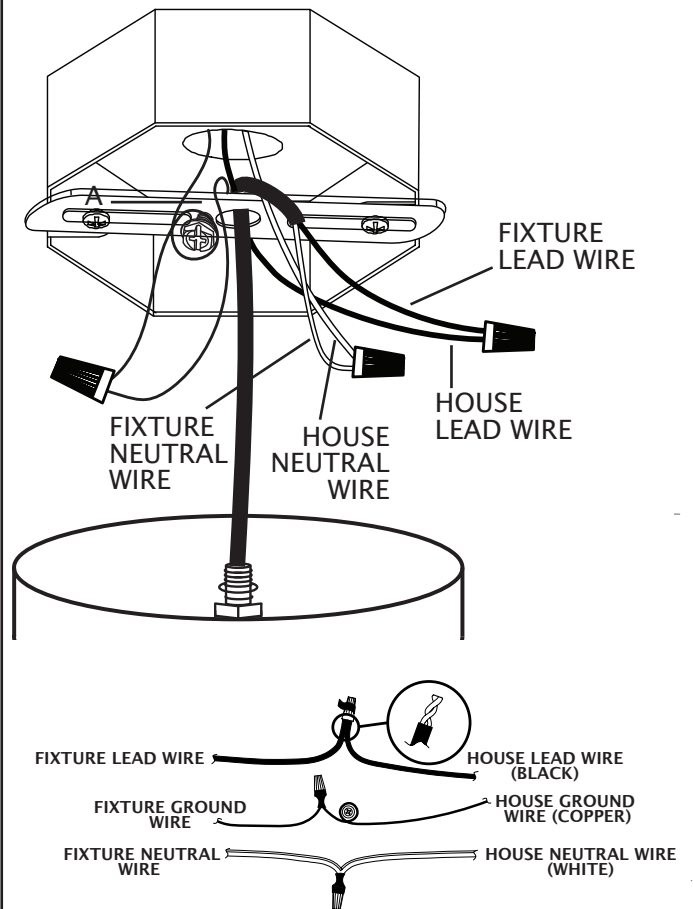
11. Strip 3/4" of insulation from ends of fixture wires.
12. Push fixture wires up through hole in center of mounting strap.
13. Slightly loosen ground screw on mounting bracket (A). Do not completely remove ground screw. Wrap house ground wire (copper) around ground screw, leaving enough ground wire to attach to fixture ground wire. Twist end of fixture ground wire and end of house ground wire together. Twist wire nut (C) onto ends of wires. Completely tighten wire nut (C). Reference chart below for correct wire connections.

Connect Supply (House) Ground Copper Wire to:
Bare Copper Wire or,
Bare Silver Wire or,
Green Insulated Wire.



14. Twist end of house lead wire (black) and end of fixture lead wire together. Twist wire nut (C) onto ends of wires. Completely tighten wire nut (C). Twist end of house neutral wire (white) and end of fixture neutral wire together. Twist wire nut (C) onto ends of wires. Completely tighten wire nut (C). Reference charts for correct wire connections.
15. Wrap electrical tape (not included) around wire nuts (C) and wires. Ensure wires are securely fastened into wire nuts.
16. Carefully push all wires and wire nuts into junction box.

Connect Black Lead Supply (House) Wire to:	Connect White Neutral Supply (House) Wire to:
Black Wire or,	White Wire or,
*Parallel Cord (Round and Smooth) or,	*Parallel Cord (Square and Ridged) or,
No printed words on wire insulation or,	Printed words on wire insulation or,
Insulated Wire (other than green) with Copper Conductor.	Insulated Wire (other than green) with Silver Conductor.
*When parallel wire (SPT 1 & SPT 2) is used: The lead wire is round in shape or smooth. The neutral wire is square in shape or ridged.	



17. Raise canopy (D) up to ceiling. Align threaded pipe on inside of canopy with hole in center of mounting strap (A).
18. Turn loop on canopy (D) to screw threaded pipe into hole in mounting strap (A). Turn loop until canopy is securely tight against ceiling.
19. Screw recommended bulbs (E26 Edison bulb type, not included) into sockets. Verify correct bulb wattage marked on socket of fixture.
WARNING: DO NOT exceed maximum bulb wattage.

