

WARNING: DISCONNECT POWER AT THE MAIN FUSE BOX BEFORE INSTALLATION.

WARNING:

This fixture is intended for installation in accordance with the National Electrical Code (NEC) and all local code specifications. If you are not familiar with code requirements, installation by a certified electrician is recommended.

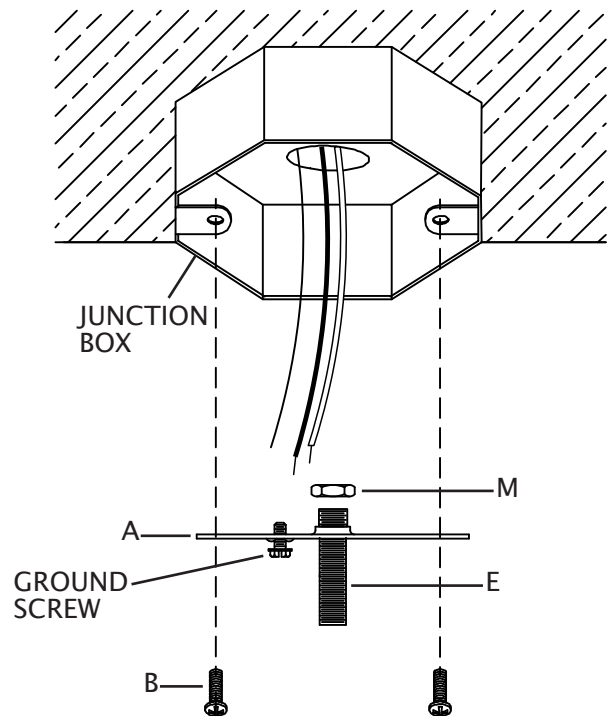
Before assembly, remove all parts and part packages from box. If anything is missing, please contact the retailer from which the product was purchased.

elk HOME

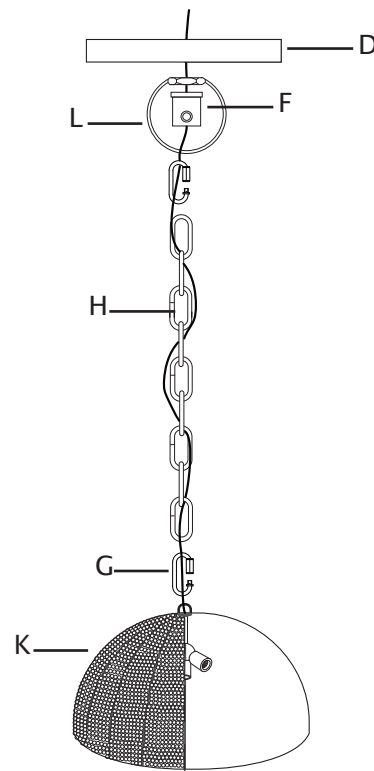
ANY QUESTIONS CALL: 800-613-3261
M-F 8:00AM-6:00PM ET

ITEM#: H0808-11137

1. Carefully pull house wires down out of junction box so house wires are easily accessed to connect fixture wires.
2. Hold mounting bracket (A) so head of ground screw is pointing down towards floor. From side of mounting bracket with ground screw head, screw end of threaded pipe (E) into hole in center of mounting bracket (A) so approximately 1/4 of the threads on the threaded pipe are on the inside of the mounting bracket. Thread hexnut (M) onto short end of threaded pipe (E). Tighten hexnut (M) to secure threaded pipe (E) to mounting bracket (A).
3. Hold mounting bracket so long end of threaded pipe (E) is pointing down towards floor. Place mounting bracket (A) up against junction box. Align each slot in mounting bracket (A) with each hole in junction box.
4. Thread one junction box screw (B) into each slot in mounting bracket (A) and into holes in junction box. Tighten junction box screws (B) to secure mounting bracket (A) to junction box.

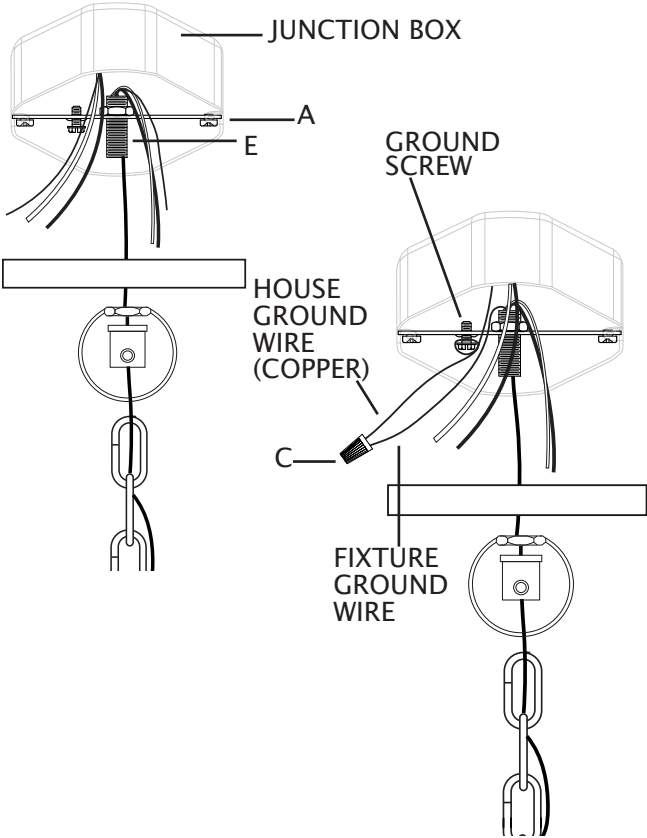


5. Connect one locking link (G) to loop on top of shade (K).
6. Determine desired hanging height of fixture. Cut chain (H) to length to achieve desired height.
7. Slip chain link at end of chain (H) onto locking link (G) on loop.
8. Weave fixture wires through chain links, skipping every other chain link.
9. Slip fixture wires up through screw collar (F).
10. Hold loop (L) so hex nut on loop (L) is at the top. Slip fixture wires through hex nut on loop (L).
11. Pass fixture wires through hole in canopy (D).



12. Strip 3/4" of insulation from ends of fixture wires.
13. Carefully push fixture wires up through bottom of threaded pipe (E) attached to mounting bracket (A). Carefully pull fixture through top of threaded pipe (E).
14. Slightly loosen ground screw on mounting bracket (A). Do not completely remove ground screw. Wrap house ground wire (copper) around ground screw, leaving enough ground wire to attach to fixture ground wire. Twist end of fixture ground wire and end of house ground wire together. Twist wire nut (C) onto ends of wires. Completely tighten wire nut (C). Reference chart below for correct wire connections.

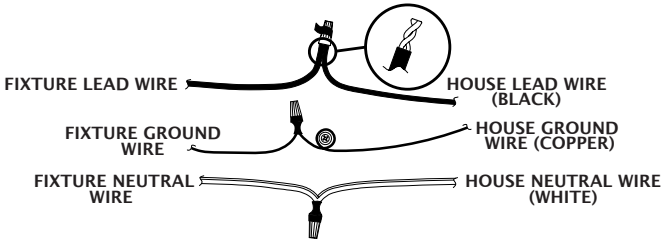
Connect Supply (House) Ground Copper Wire to:
Bare Copper Wire or,
Bare Silver Wire or,
Green Insulated Wire.



15. Twist end of house lead wire (black) and end of fixture lead wire together. Twist wire nut (C) onto ends of wires. Completely tighten wire nut (C). Twist end of house neutral wire (white) and end of fixture neutral wire together. Twist wire nut (C) onto ends of wires. Completely tighten wire nut (C). Reference chart to the right for correct wire connections.
16. Wrap electrical tape (not included) around wire nuts (C) and wires. Ensure wires are securely fastened into wire nuts.
17. Carefully push all wires and wire nuts into junction box.

Connect Black Lead Supply (House) Wire to:	Connect White Neutral Supply (House) Wire to:
Black Wire or,	White Wire or,
*Parallel Cord (Round and Smooth) or,	*Parallel Cord (Square and Ridged) or,
No printed words on wire insulation or,	Printed words on wire insulation or,
Insulated Wire (other than green) with Copper Conductor.	Insulated Wire (other than green) with Silver Conductor.

*When parallel wire (SPT 1 & SPT 2) is used:
 The lead wire is round in shape or smooth.
 The neutral wire is square in shape or ridged.



18. Raise canopy (D) up to ceiling. Pass hole in canopy (D) over end of threaded pipe (E). Position canopy (D) up against ceiling.
19. Thread loop (L) onto threaded pipe. Tighten loop (L) up against canopy (D).
20. Thread screw collar (F) onto threaded pipe (E). Tighten screw collar (F) up against hex nut on loop (L). Tighten screw collar (F) to secure canopy (D) in place.
21. Attach second locking link (G) to link at end of chain (H) and to loop (L).
22. Screw recommended bulbs (E26 Edison bulb type, not included) into sockets. Verify correct bulb wattage marked on socket of fixture.
WARNING: DO NOT exceed maximum bulb wattage.

