

IMPORTANT

Read all instructions before assembling.

WARNING: To avoid damages, assemble the product on a soft, clean surface.

CAUTION: Keep small parts out of reach of children.

Before assembly, remove all parts and part packages from carton. If anything is missing or damaged, please contact the retailer from which the product was purchased or contact customer service, 800-613-3261.

elk HOME

ANY QUESTIONS CALL: 800-613-3261
M-F 8:00AM-6:00PM ET

H0015-9938
Reynolds Credenza

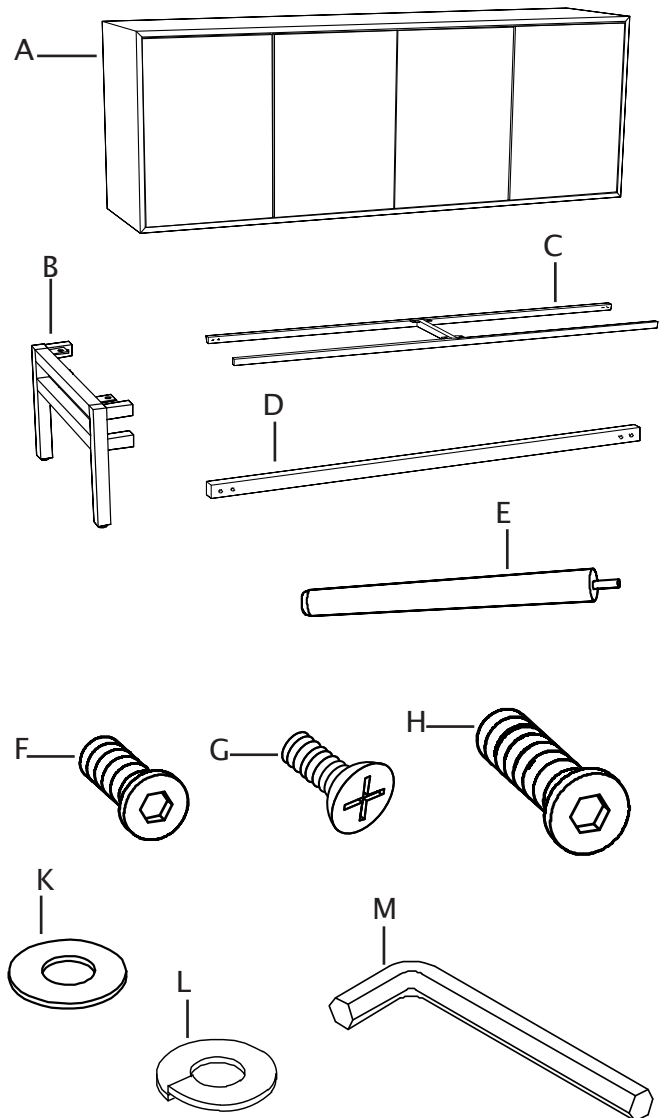
PACKAGE CONTENTS

Parts	Quantity
A CABINET	1
B LEG	2
C STRETCHER FRAME	1
D STRETCHER BAR	2
E CENTER LEG	1
F SHORT HEX SCREW	4
G PHILLIPS SCREW	8
H LONG HEX SCREW	2
K FLAT WASHER	6
L LOCK WASHER	6
M HEX WRENCH	1

NOTES:

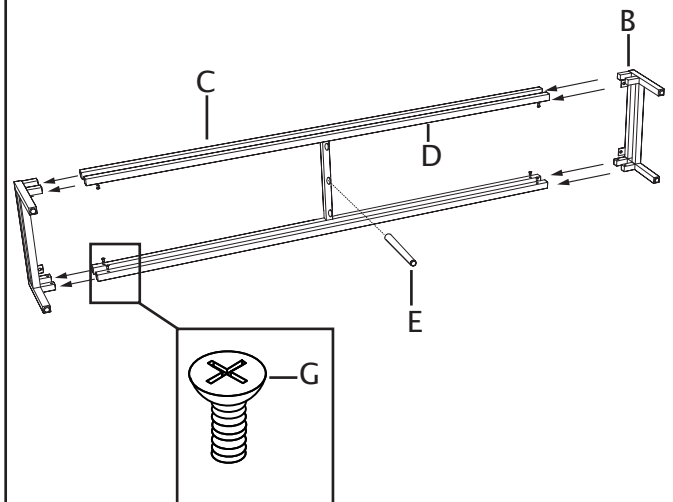
Two-person assembly.

Approx. assembly time: 30 minutes

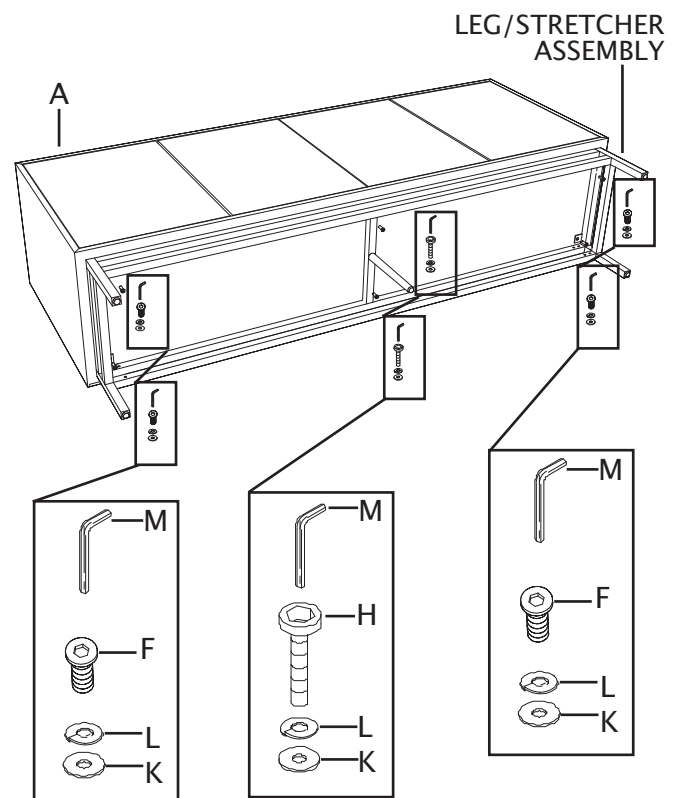


ASSEMBLY

1. Place cabinet (A) and all parts (B – M) on floor on top of cushioning material.
2. Place one leg (B) on it's side with extensions on leg (B) facing inward.
3. Place stretcher frame (C) on it's side. Align ends of stretcher frame (C) with the top extensions on leg (B). Ensure holes in stretcher frame (C) and holes in extensions on leg (B) are facing the same direction.
4. Thread one Phillips screw (G) into each hole in stretcher framer (C) and into holes in extensions on leg (B). DO NOT fully tighten Phillips screw (G). This will be done after stretcher frame (C) and stretcher bars (D) have been assembled to both legs (B).
5. Position one stretcher bar (D) so holes in side of stretcher bar (D) are facing the same direction as holes on extension on leg (B). Slide stretcher bar (D) over extension on leg (B). Align holes in stretcher bar (D) with holes in extension on leg (B).
6. Thread one Phillips screw (G) into each hole in stretcher bar (D) and into holes in extension on leg (B). DO NOT fully tighten Phillips screw (G).
7. Place second leg (B) on it's side. Slide extensions on second leg (B) into ends of stretcher frame (C) and stretcher bar (D).
8. Align holes in stretcher frame (C) and stretcher bar (D) with holes in extensions on leg (B).
9. Thread one Phillips screw (G) into each hole in stretcher frame (C) and stretcher bar (D) and into holes in extension on leg (B).
10. After all Phillips screws (G) have been installed, completely tighten all Phillips screws (G).
11. Screw center leg (E) into center hole in middle bar on leg assembly.



12. Carefully place cabinet (A) down on floor onto back of cabinet on top of cushioning material.
13. Place top of leg/stretcher assembly up against underside of cabinet (A). Align holes in one corner plate on leg/stretcher assembly with hole in one corner in underside of cabinet (A).
14. Slip lock washer (L) then flat washer (K) over end of one short hex screw (F). Thread short hex screw (F) into hole in corner plate on leg/stretcher assembly and into hole in underside of cabinet (A). DO NOT fully tighten short hex screw (F). This will be done after all hex screws have been installed.
15. Repeat step 14 to install remaining short hex screws (F) in each corner of underside of cabinet (A).
16. Slip one lock washer (L) then one flat washer (K) over end of each long hex screw (H). Thread each long hex screw (H) into top and bottom hole in middle bar on leg/stretcher assembly.
17. After all hex screws (F and H) have been installed, using hex wrench (M), completely tighten all hex screws (F and H).
18. After all hex screws (F and H) have been installed, using hex wrench (M), completely tighten all hex screws (F and H).



INSTRUCTIONS FOR LEVELING CABINET

These steps must be completed to ensure the doors of the cabinet operate properly.

TOOLS REQUIRED (NOT INCLUDED):

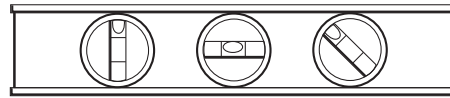
For cabinet with adjustable leveling glides:

- Bubble level

For cabinet without adjustable leveling glides:

- Bubble level
- Adhesive pads

BUBBLE LEVEL

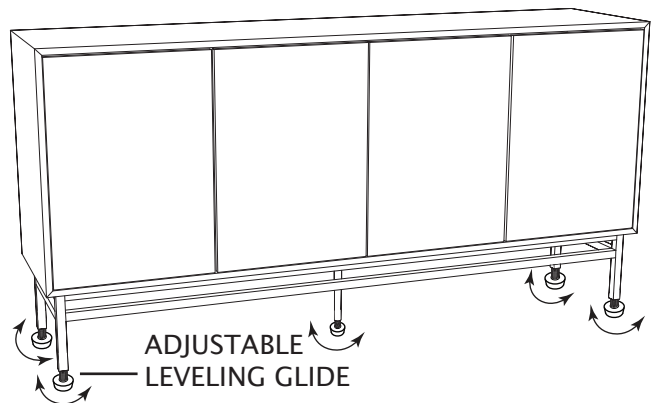


ADHESIVE PAD



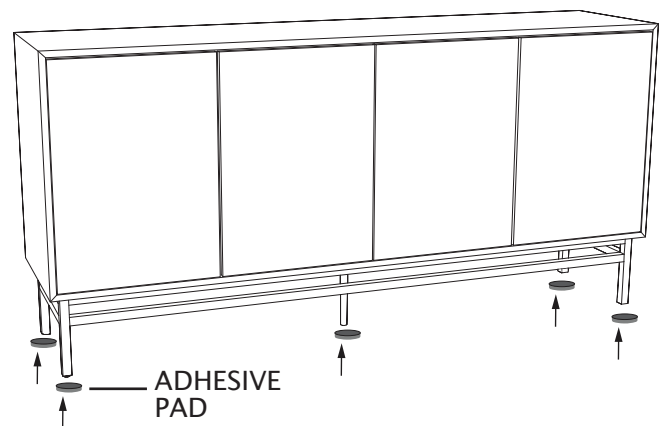
For cabinet with adjustable leveling glides:

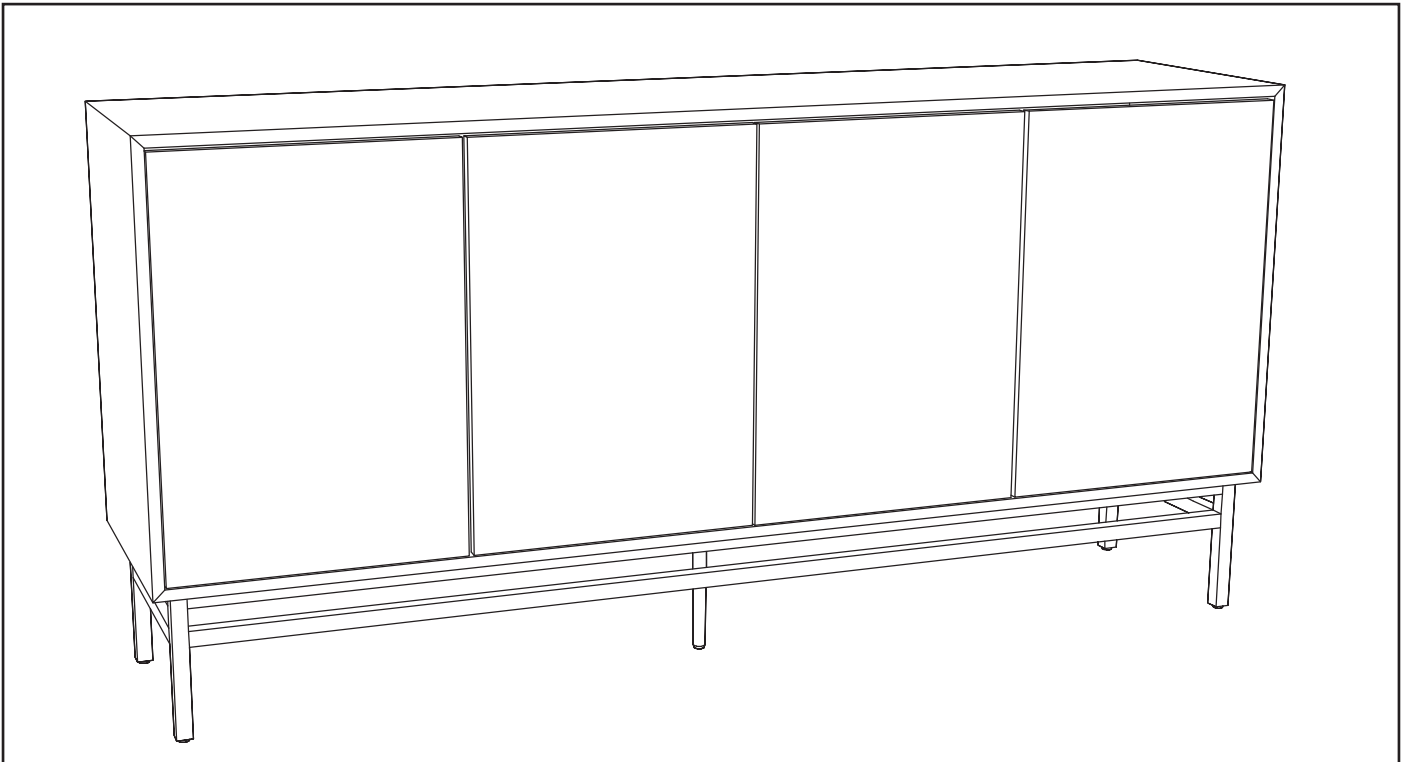
1. Position the cabinet in the desired location.
2. Place the level on the top of the cabinet along the width (left to right) of the cabinet and adjust the front adjustable leveling glides until the bubble in the level is centered.
3. Place the level on the top of the cabinet along the depth (front to back) of the cabinet and adjust the rear adjustable leveling glides until the bubble in the level is centered.
4. Check for plumb in both directions and adjust the leveling glides if necessary.



For cabinet without adjustable leveling glides:

1. Position the cabinet in the desired location.
2. Place the level on the top of the cabinet along the width (left to right) of the cabinet and add adhesive pads to the bottom of the front legs/feet until the bubble in the level is centered.
3. Place the level on the top of the cabinet along the depth (front to back) of the cabinet and add adhesive pads to the bottom of the rear legs/feet until the bubble in the level is centered.
4. Check for plumb in both directions and make adjustments by adding and/or removing adhesive pads if necessary.





IMPORTANT: During the life of the product, periodically check all screws and fixings to ensure they are secure.

CARE AND CLEANING

- Before using, wipe with a clean, dry cloth.
- Glass may be cleaned with cleaning products specified safe to use on glass.
- Dust and clean furniture with a clean, non-colored, lint-free cloth.
- Do not use any cleaners with chemicals, solvents or harsh abrasives.
- Do not put hot items directly on furniture surface.
- Do not place furniture in direct sunlight.
- Do not place furniture near heating or cooling vents.
- Do not write on furniture without a padded barrier to protect the surface.
- Do not place furniture outside. For indoor use only.
- Any liquid spilled on the table should be cleaned up immediately using a damp cloth.
- Avoid rubbing or scratching the surface with rough or abrasive objects.

PLEASE KEEP INSTRUCTIONS FOR FUTURE REFERENCE.

MADE IN CHINA

IMPORTANT

Read all instructions before assembling.

WARNING: To avoid damages, assemble the product on a soft, clean surface.

CAUTION: Keep small parts out of reach of children.

Before assembly, remove all parts and part packages from carton. If anything is missing or damaged, please contact the retailer from which the product was purchased or contact customer service, 800-613-3261.

elk HOME

ANY QUESTIONS CALL: 800-613-3261
M-F 8:00AM-6:00PM ET

H0015-9938
Reynolds Credenza
Anti-tip Kit

PACKAGE CONTENTS

Anti-Tip Kit Parts		Quantity
A	ANTI-TIP BRACKET	2
B	ANTI-TIP STRAP	1
C	LONG SCREW	1
D	SHORT SCREW	1

NOTES:

Two-person assembly.

ASSEMBLY

1. Locate a wall stud that is in the desired area on the wall of the cabinet. With a pencil, mark on the wall the location of the wall stud. **CAUTION:** If the bracket (A) will not be installed into a wall stud, a wall anchor (not included) should be used.
2. Place the bracket (A) at the location of the wall stud approximately 2 inches below the top of the cabinet. Mark the placement of the hole in the bracket on the wall with a pencil.
3. Using an appropriately sized drill bit for the long screw (C), drill a pilot hole at the marked location on the wall.
4. Place bracket (A) on wall with the hole in the bracket (A) over the hole. Thread long screw (C) into the hole in the bracket (A) and into the wall. Tighten long screw (C) to secure the bracket (A) to the wall.
5. Place the second bracket on the back of the cabinet at the top center. Ensure the position of the bracket (A) is aligned with the bracket (A) on the wall.
6. Thread the short screw (D) through the hole in the bracket (A) and into the back of the cabinet.
7. Carefully set the cabinet in permanent location in front of the bracket (A) on the wall. Ensure bracket (A) on back of cabinet is aligned with bracket (A) on wall.
8. Slip pointed end of the anti-tip strap (B) down through the hole in the bracket (A) on cabinet then up through the hole in the bracket (A) on the wall. Slip the pointed end of the anti-tip strap (B) through the hole in the other end of the anti-tip strap (B). Tighten anti-tip strap (B) to secure cabinet in place.

