

WARNING: DISCONNECT POWER AT THE MAIN FUSE BOX BEFORE INSTALLATION.

WARNING:

This fixture is intended for installation in accordance with the National Electrical Code (NEC) and all local code specifications. If you are not familiar with code requirements, installation by a certified electrician is recommended.

Before assembly, remove all parts and part packages from box. If anything is missing, please contact the retailer from which the product was purchased.

elk HOME

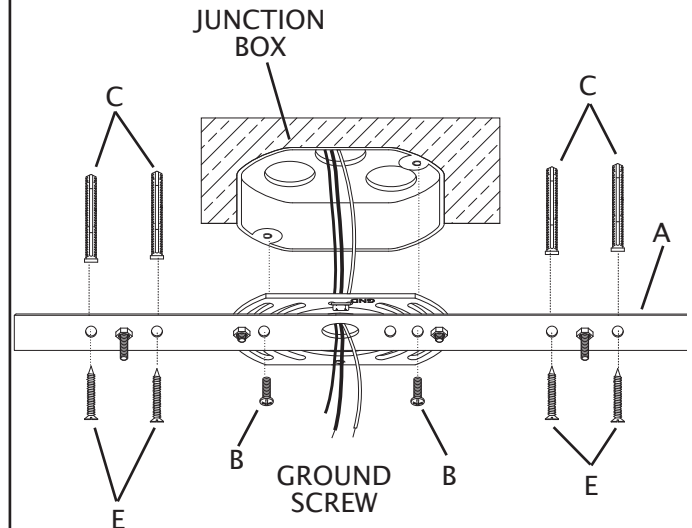
ANY QUESTIONS CALL: 800-613-3261
M-F 8:30AM-5:00PM ET

ITEM#: D4663

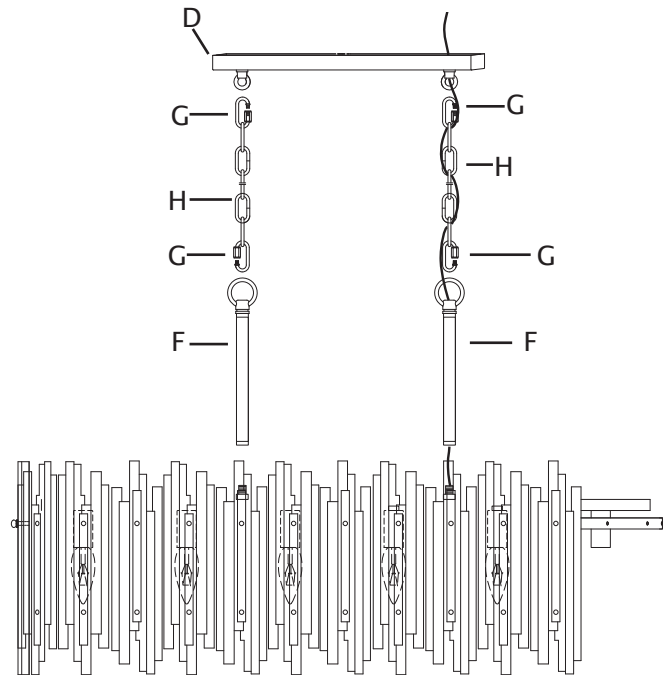
1. Position mounting bracket (A) so threaded end of attached fixture mounting screws (E) and head of ground screw are pointing down.
2. Align the two small holes on either side of the center hole in mounting bracket with holes in junction box. While holding mounting bracket in correct position, mark with a pencil on ceiling the location of the two sets of holes in each end of bar of mounting bracket. Set bracket aside while installing anchors.
3. Using a drill bit the appropriate size for the included anchors (C), drill a hole at each marked location on ceiling.
4. Using hammer, carefully tap one anchor (C) into each hole in ceiling. Lip of anchor (C) should be flush with ceiling.
5. Hold mounting bracket (A) so threaded end of attached fixture mounting screws (E) and head of ground screw are pointing down. Carefully pull house wires down out of junction box and pass house wires through center hole in mounting bracket (A).
6. Align holes in the mounting bracket (A) with holes in junction box. Align holes in ends of mounting bracket with anchors (C) in ceiling.
7. Thread each junction box screw (B) into appropriate hole in mounting bracket (A) and into hole in junction box.
8. Thread each anchor screw (E) into each hole in mounting bracket.
9. Tighten junction box screws (B) and anchor screws (E) to attach mounting bracket (A) to junction box and ceiling.

CAUTION: Make sure house wires are still easily accessible.

DO NOT pinch wires between mounting bracket and ceiling.

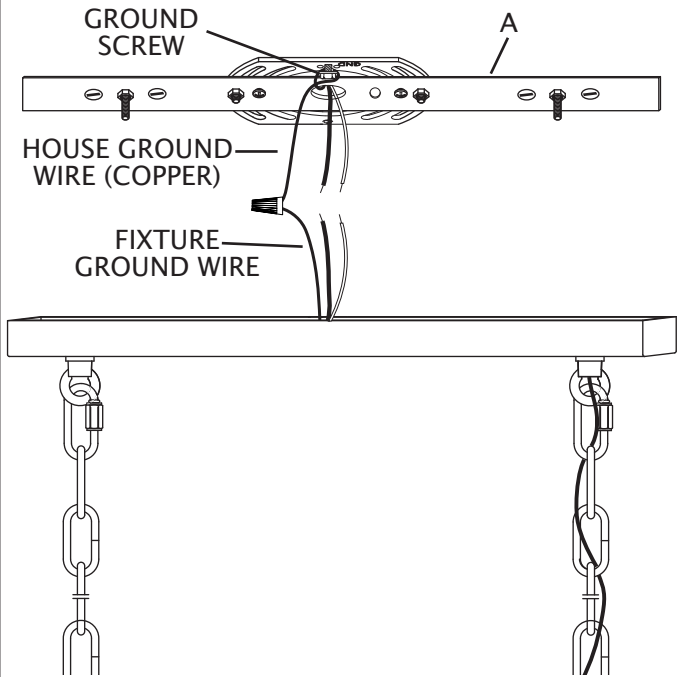


10. On side of fixture without fixture wires, thread one stem (F) onto threaded pipe on top of fixture body.
11. On side of fixture with wires, carefully push fixture wires from fixture body up through bottom of stem (F). Pull fixture wires taut. Thread end of stem (F) onto threaded pipe on top of fixture body.
12. Attach one locking link (G) to loop on top of each stem (F).
13. Determine desired hanging height of fixture. Cut each length of chain (H) to achieve that height. Make sure chains are the same length.
14. On side of fixture without wires, attach chain link at end of one length of chain (H) to locking link (G) on top of stem (F).
15. Attach second locking link (G) to other end of chain (H). Attach locking link (G) to loop on canopy (D).
16. On side of fixture with wires, attach chain link at end of second length of chain (H) to locking link (G) on top of stem (F).
17. Attach second locking link (G) to link at other end of chain (H).
18. Weave fixture wires through chain links, skipping every other chain link.
19. Carefully push fixture wires up through hole in center of loop on canopy (D). Pull fixture wires taut.
20. Attach locking link (G) to loop on canopy (D).



21. Strip 3/4" of insulation from ends of fixture wires.
22. Slightly loosen ground screw on mounting bracket (A). Do not completely remove ground screw. Wrap house ground wire (copper) around ground screw, leaving enough ground wire to attach to fixture ground wire. Twist end of fixture ground wire and end of house ground wire (copper) together. Twist wire nut (C) onto ends of wires. Completely tighten wire nut (C). Reference chart below for correct wire connections.

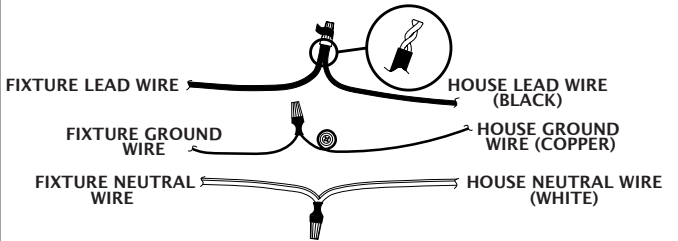
Connect Supply (House) Ground Copper Wire to:
Bare Copper Wire or,
Bare Silver Wire or,
Green Insulated Wire.



23. Twist end of house lead wire (black) and end of fixture lead wire together. Twist wire nut (C) onto ends of wires. Completely tighten wire nut (C). Twist end of house neutral wire (white) and end of fixture neutral wire together. Twist wire nut (C) onto ends of wires. Completely tighten wire nut (C). Reference chart to the right for correct wire connections.
24. Wrap electrical tape (not included) around wire nuts (C) and wires. Ensure wires are securely fastened into wire nuts.
25. Carefully push all wires and wire nuts into junction box.

Connect Black Lead Supply (House) Wire to:	Connect White Neutral Supply (House) Wire to:
Black Wire or,	White Wire or,
*Parallel Cord (Round and Smooth) or,	*Parallel Cord (Square and Ridged) or,
No printed words on wire insulation or,	Printed words on wire insulation or,
Insulated Wire (other than green) with Copper Conductor.	Insulated Wire (other than green) with Silver Conductor.

*When parallel wire (SPT 1 & SPT 2) is used:
 The lead wire is round in shape or smooth.
 The neutral wire is square in shape or ridged.



26. Carefully raise fixture up to ceiling. Place canopy (D) of fixture over mounting bracket (A). Pass holes in canopy (D) over ends of fixture mounting screws (E).
27. Screw one threaded cap (F) onto end of one fixture mounting screw (E).
28. Screw second threaded cap (F) onto end of second fixture mounting screw (E). Tighten both threaded caps (F) to secure fixture to ceiling. DO NOT over tighten.
29. Screw recommended bulbs (E12 Candelabra bulb type, not included) into sockets. Verify correct bulb wattage marked on socket of fixture. **WARNING: DO NOT** exceed maximum bulb wattage.
30. Carefully place one glass trim piece (R or S) up against frame of fixture. Align hole in glass trim (R or S) with hole in frame of fixture. Thread one ball stud (M) through hole in glass trim and through hole in frame of fixture. From inside frame of fixture, screw threaded cap (N) onto end of ball stud (M). Tighten threaded cap (N) to secure glass trim piece (R or S) to fixture. DO NOT over tighten.
31. Repeat above step to install remaining glass trim pieces (R/S). Alternate glass trim piece (R) and glass trim piece (S).

