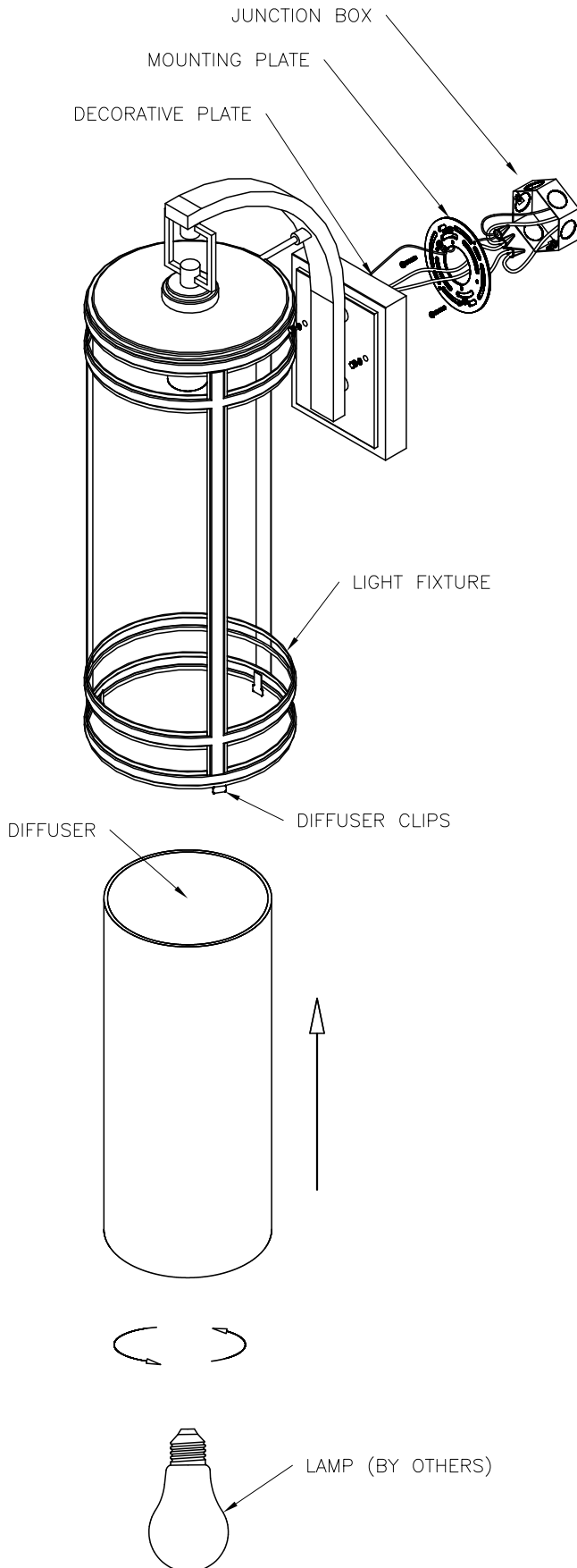


- Be sure to read and understand all instruction sheets completely before beginning assembly or installation.
- All assembly and installation work must be performed by qualified personnel, in accordance with all applicable national and local building and electrical codes.
- Be aware that the weight of some fixtures may exceed the strength rating of the 4" electrical junction box or other such hardware at your site. In all cases, it is the responsibility of the contractor to properly secure the fixture to the structure, and to provide adequate support for the fixture.
- Due to constant production improvements, details of the design, material or finish may change in any way that will not significantly alter installed appearance or reduce function or performance.

© East Taunton, MA 02718 (508) 977-9991



1) Turn power off! Pull the wires out of the junction box and feed them through the center hole in the mounting plate. Attach the mounting plate to the junction box with the screws provided and leave the studs on the mounting plate facing outward. The mounting plate can be adjusted so the studs are set level, so your fixture mounts vertically perpendicular to the ceiling.

2) Connect the light fixture wires to the wires in the junction box. Wire black to black, white to white, and attach the green ground to the green screw provided on the mounting plate. Use wire nuts on the connections and leave no bare wire exposed (excepting the green). Tuck the wires inside the junction box.

3) Secure the light fixture to the mounting plate by lining up the holes on the decorative cover with the studs on the mounting plate and screwing on the knurled nuts provided. Make sure to fasten securely.

4) Slide your glass diffuser up inside of the lighting fixture frame and use the retaining diffuser clips to wrap around to the inside of the glass diffuser supporting the diffuser.

5) Screw the bulb into the socket inside your fixture (bulb by others). Turn your power back on and you have completed the installation process.

Norwell Lighting

REV.	BY	DATE	DESCRIPTION
INSTRUCTIONS			DRAWN BY: GB SHEET #: SHEET 1 OF 1
1191-A-NEW YORK			
DATE: Apr 14, 2014	DWG: 1191-1190-INSTAL		

1190 / 1191-A-A0-NEW YORK INSTALLATION