

WARNING: DISCONNECT POWER AT THE MAIN FUSE BOX BEFORE INSTALLATION.

WARNING:

This fixture is intended for installation in accordance with the National Electrical Code (NEC) and all local code specifications. If you are not familiar with code requirements, installation by a certified electrician is recommended.

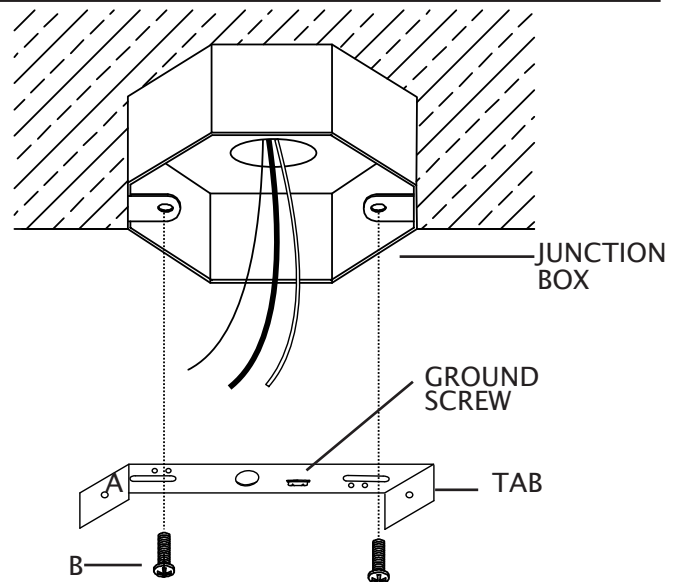
Before assembly, remove all parts and part packages from box. If anything is missing, please contact the retailer from which the product was purchased.

elk HOME

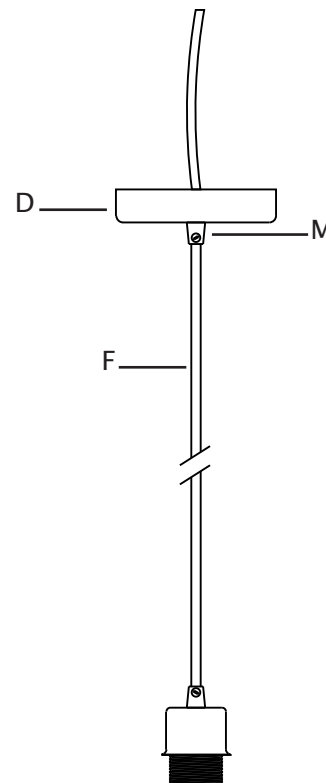
ANY QUESTIONS CALL: 800-613-3261
M-F 8:00AM-6:00PM ET

ITEM#: D4637

1. Carefully pull house wires down out of junction box so house wires are easily accessed to connect fixture wires.
2. Place mounting bracket (A) up against junction box. Tabs on mounting bracket should be pointing down towards floor. The head of the ground screw should be on the outside of the mounting bracket (A).
3. Thread one junction box screw (B) into each slot in mounting bracket (A) and into holes in junction box. Tighten junction box screws (B) to secure mounting bracket (A) to junction box. **CAUTION:** Make sure house wires are still easily accessible. **DO NOT** pinch wires between mounting bracket and ceiling.

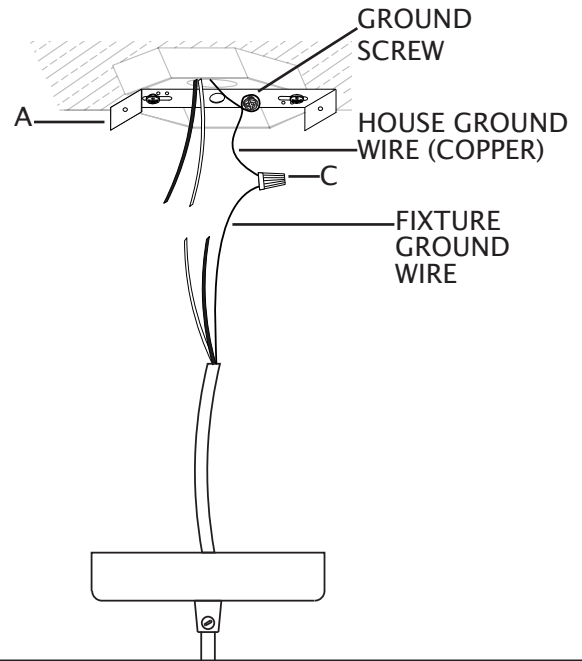


4. The length of hanging cord (F) of fixture is adjustable. Hold canopy (D) against ceiling to determine desired hanging height of fixture.
5. Loosen set screw on strain relief (M) on canopy (D) to release cord (F) (Do not completely remove set screw). Carefully pull cord (F) down or push cord up through canopy (D) to achieve desired length. Tighten set screw to secure cord (F).



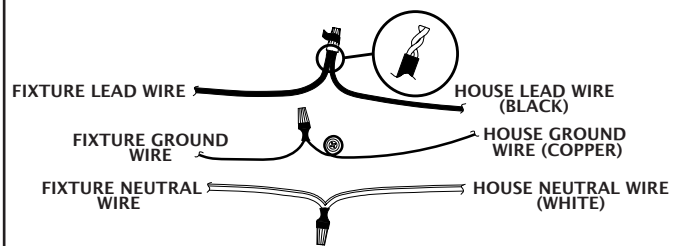
6. Strip 3/4" of insulation from ends of fixture wires.
7. Slightly loosen ground screw on mounting bracket (A). Do not completely remove ground screw. Wrap house ground wire (copper) around ground screw, leaving enough ground wire to attach to fixture ground wire. Twist end of fixture ground wire and end of house ground wire together. Twist wire nut (C) onto ends of wires. Completely tighten wire nut (C). Reference chart below for correct wire connections.

Connect Supply (House) Ground Copper Wire to:
Bare Copper Wire or,
Bare Silver Wire or,
Green Insulated Wire.

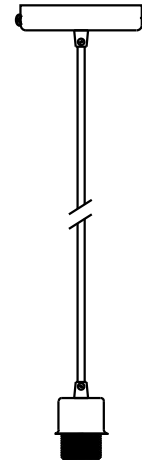
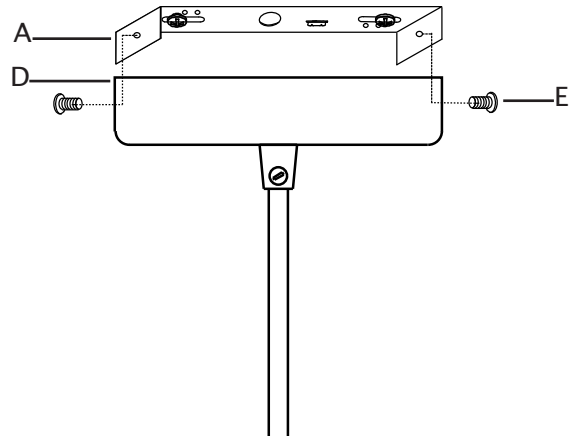


8. Twist end of house lead wire (black) and end of fixture lead wire together. Twist wire nut (C) onto ends of wires. Completely tighten wire nut (C). Twist end of house neutral wire (white) and end of fixture neutral wire together. Twist wire nut (C) onto ends of wires. Completely tighten wire nut (C). Reference chart to the right for correct wire connections.
9. Wrap electrical tape (not included) around wire nuts (C) and wires. Ensure wires are securely fastened into wire nuts.
10. Carefully push all wires and wire nuts into junction box.

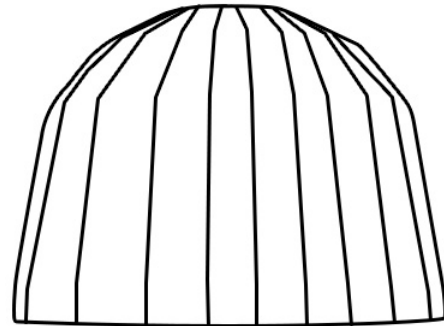
Connect Black Lead Supply (House) Wire to:	Connect White Neutral Supply (House) Wire to:
Black Wire or,	White Wire or,
*Parallel Cord (Round and Smooth) or,	*Parallel Cord (Square and Ridged) or,
No printed words on wire insulation or,	Printed words on wire insulation or,
Insulated Wire (other than green) with Copper Conductor.	Insulated Wire (other than green) with Silver Conductor.
*When parallel wire (SPT 1 & SPT 2) is used: The lead wire is round in shape or smooth. The neutral wire is square in shape or ridged.	



11. Raise canopy (D) up to ceiling. Fit canopy over tabs on mounting bracket (A).
12. Align holes in side of canopy (D) with holes in tabs on mounting bracket (A). Thread one fixture mounting screw (E) into each hole in side of canopy (D). Tighten fixture mounting screws (E) to secure canopy (D) to mounting bracket (A).
13. Place end of cord (F) through top of shade (G) and fasten using socket ring (H) from underneath. Insert bulb.



G—



H—

