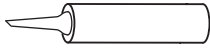


### SUGGESTED TOOLS AND MATERIALS



Sealant



Saber Saw



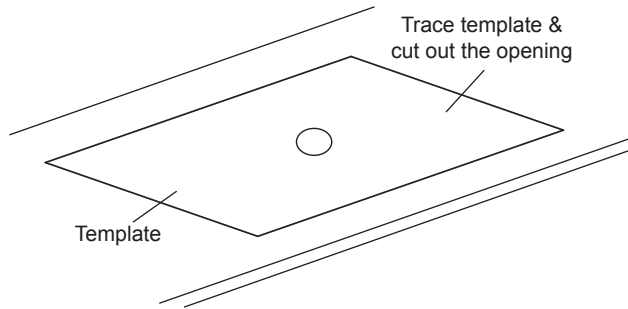
Tape Measure



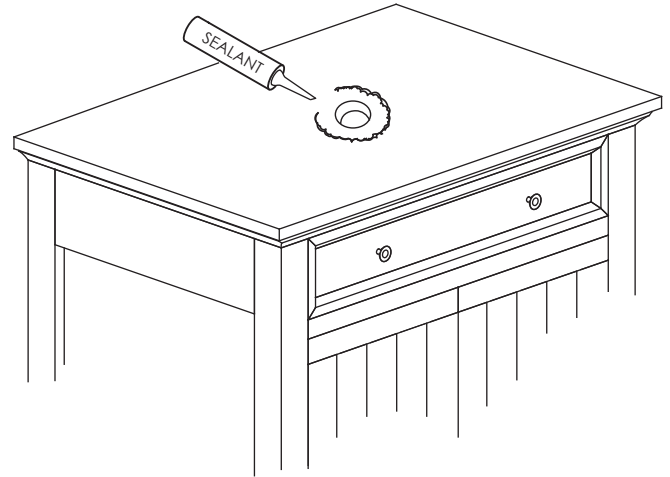
Safety Glasses

### SINK INSTALLATION

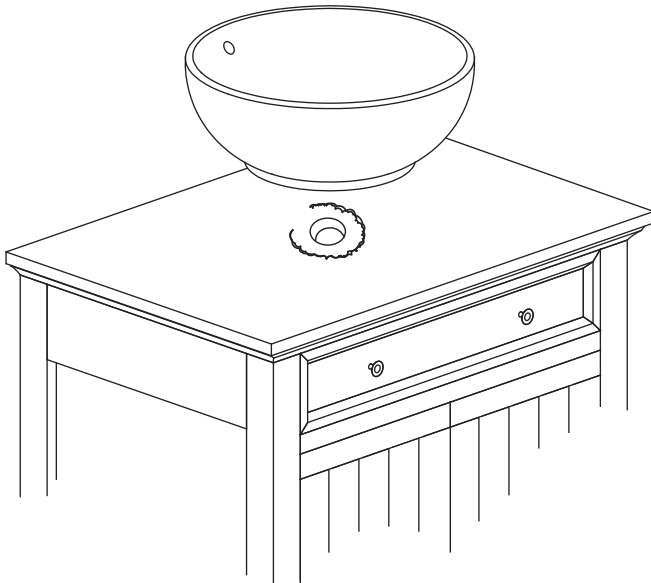
1



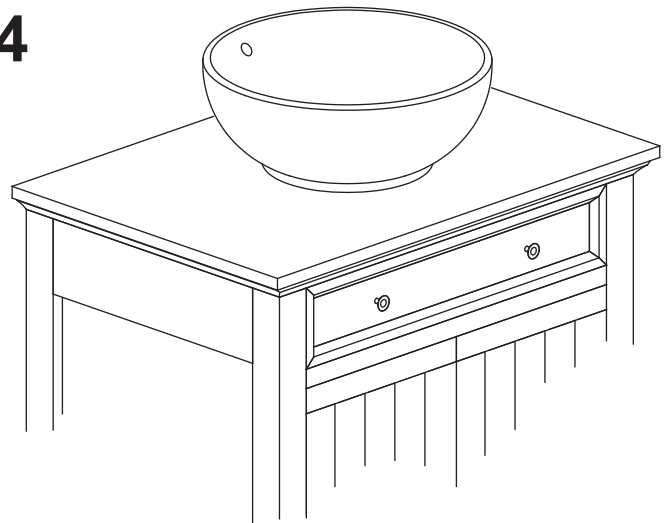
2



3



4

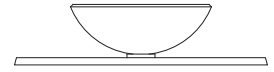


**\*\* NOTE:** Sink style, shape, cutout on top, vanity may vary from the picture above. Instructional purposes only

### CARE AND CLEANING

- Never use a strong / abrasive cleaner. Always test your cleaning solution on an unnoticeable area before applying it to the entire surface.
- Wipe surfaces clean, immediately after applying cleaner.
- Do not allow the cleaner to sit or soak. Never let cleaners sit on the surface of the lavatory.
- Use a soft, dampened sponge or cloth. Never use an abrasive material such as a brush or scouring pad to clean surfaces, they will scratch the lavatory surface.
- Always rinse and wipe clean the fixtures to prevent soap buildup.

\*\*To print to actual scale, on printer settings  
change **PAGE SCALING** to **NONE**



ABOVE-THE-COUNTER INSTALLATION

