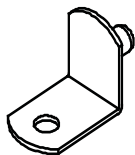
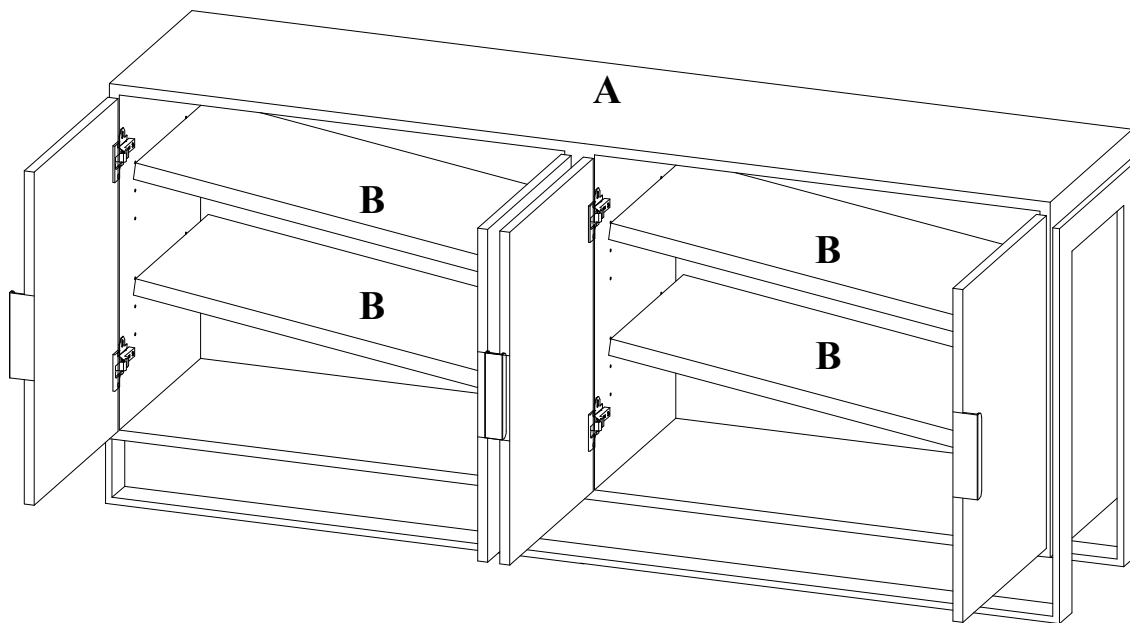
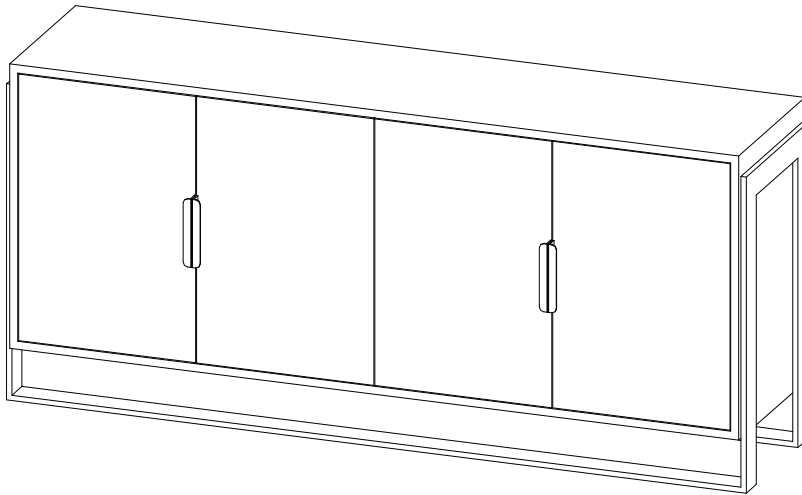


CRAFTON CREDENZA (H0805-9901)

1/4



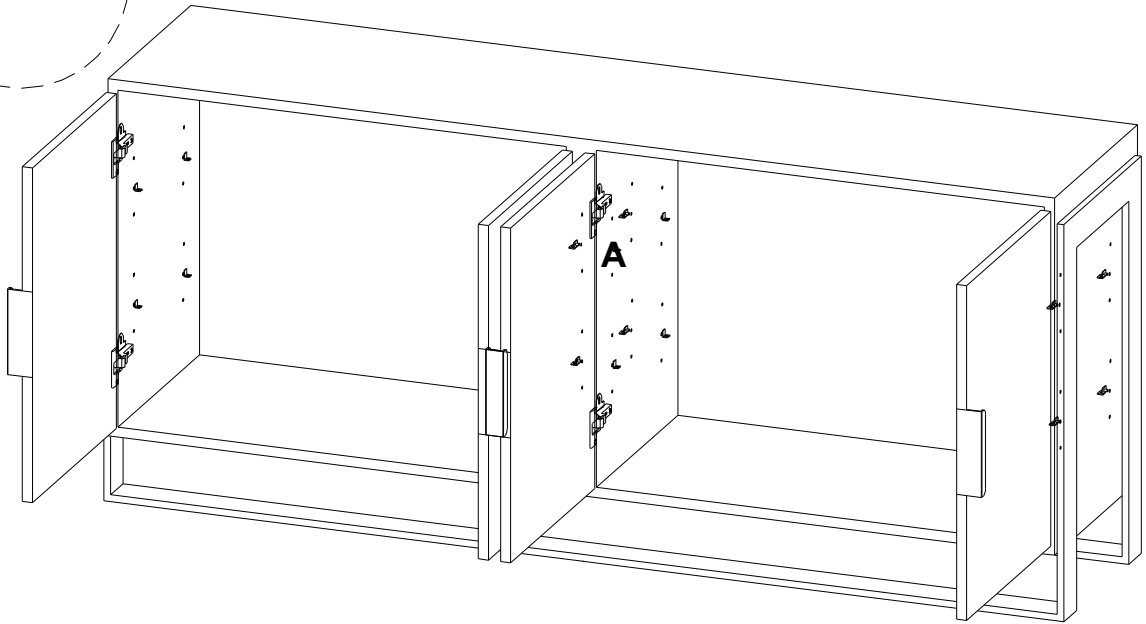
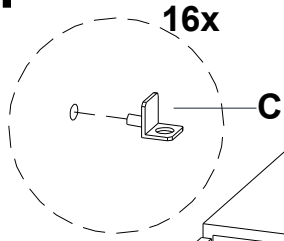
16x

C

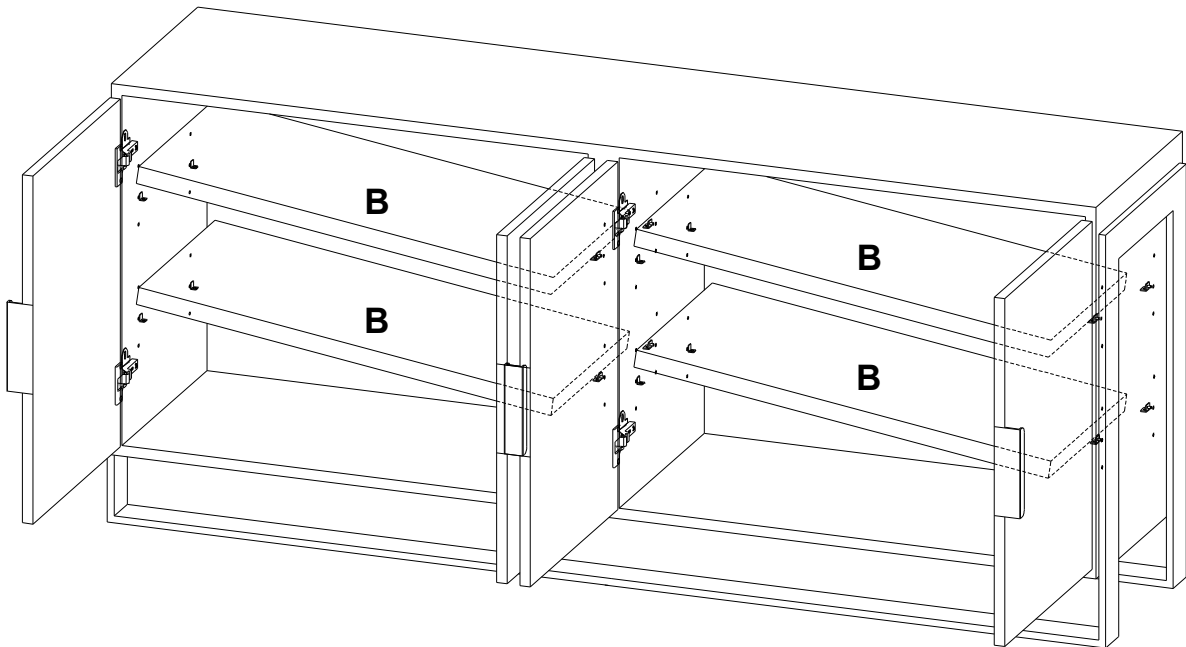


- Anti-tip kit /
 - Dispositifanti-basculement/
 - Kit anti-volcada
- 2x

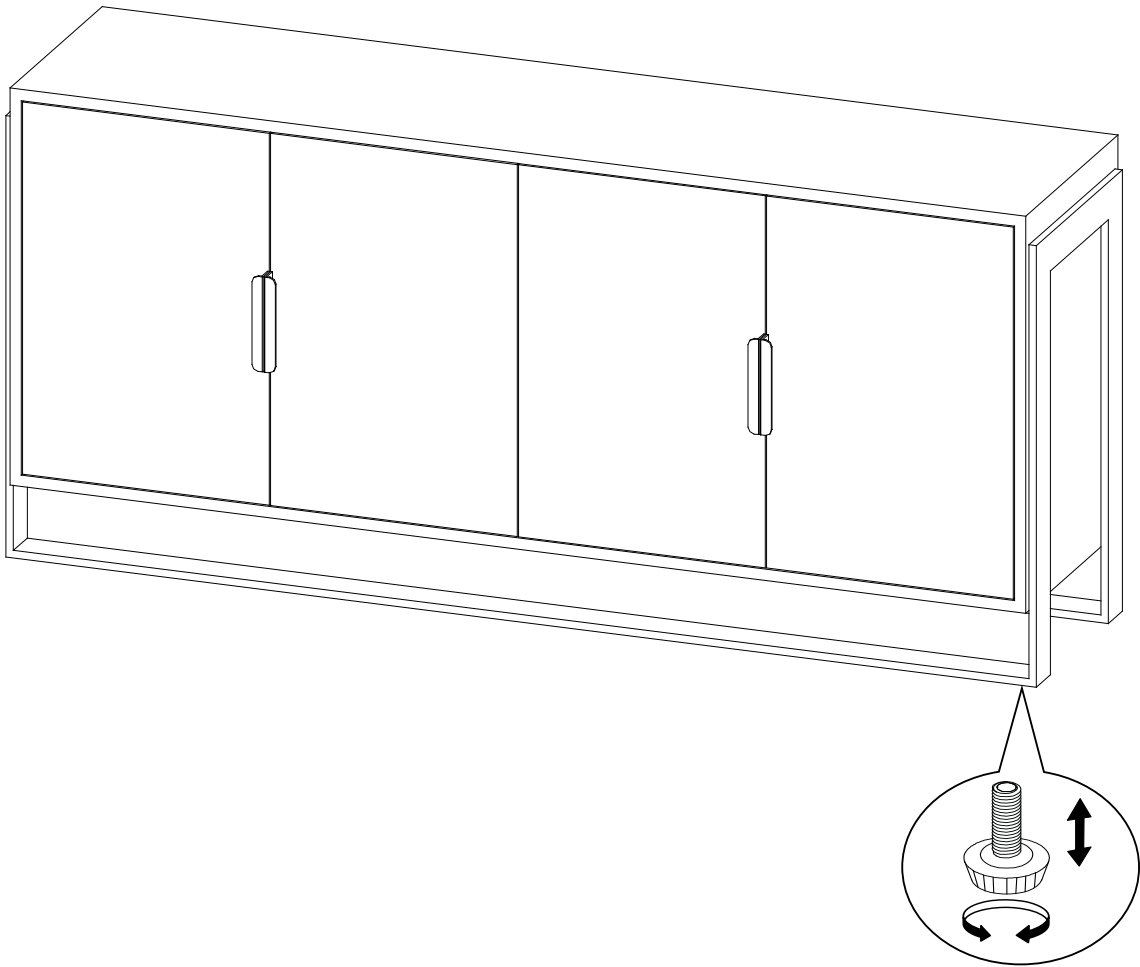
1



2








3



Assembly instructions

Anti-Tip Hardware Installation

Qty.	Ltr.	Hardware Included
4	A	 LARGE SCREW
4	B	 SMALL SCREW
4	C	 WALL BRACKET
2	D	 RETENTION BELT
4	E	 ANCHOR

TOOLS NEEDED

- 1 Screw Driver – NOT INCLUDED IN BOX
- 1 Drill Machine – NOT INCLUDED IN BOX

Attach Bracket (C) onto each end of upper back of console using Small Screws (B).
 Attach other Brackets to a wall stud approximately 1 inch lower than console Bracket using Large Screws (A). Push console against wall and align Brackets.
 Attach both by threading and tightening Retention Belt (D).



Attach Bracket
 into a
 WALL STUD

