

## IMPORTANT

Read all instructions before assembling.

**WARNING:** To avoid damages, assemble the product on a soft, clean surface.

**CAUTION:** Keep small parts out of reach of children.

Before assembly, remove all parts and part packages from carton. If anything is missing or damaged, please contact the retailer from which the product was purchased or contact customer service, 800-613-3261.

*elk* HOME

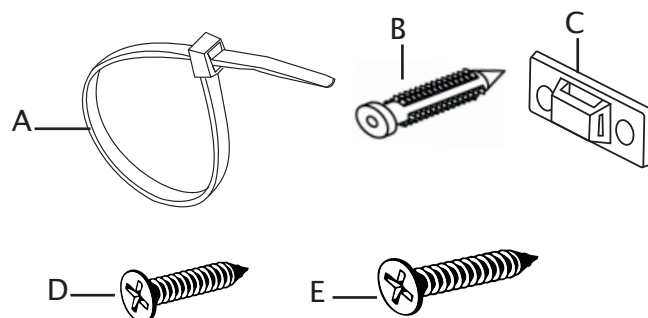
ANY QUESTIONS CALL: 800-613-3261

M-F 8:00AM-6:00PM ET

S0805-9466  
Creative Curve Credenza  
Anti-tip strap kit

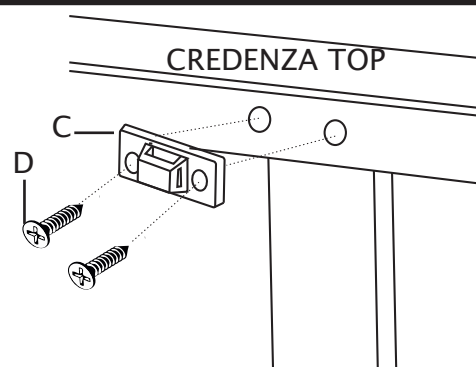
## PACKAGE CONTENTS

Parts	Quantity	
A	Anti-tip strap	2
B	Wall anchor	4
C	Anti-tip bracket	4
D	0.5" screw	4
E	1.25" screw	4



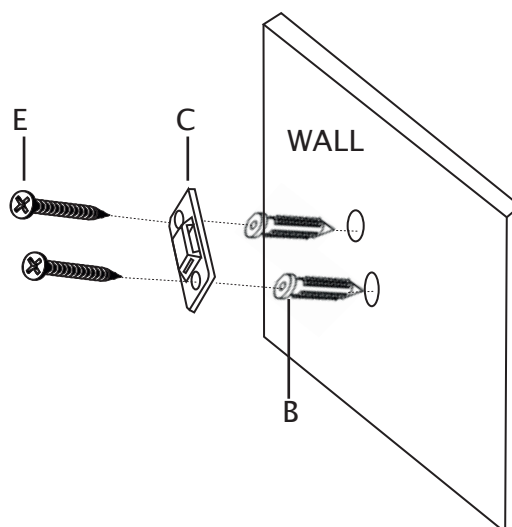
## ASSEMBLY

1. Place one bracket (C) against the back of the top edge of the credenza.
2. Thread one screw (D) into each hole in bracket (C) and into back of credenza.
3. Repeat steps 1 and 2 to install second bracket (C) on other side of back of credenza.

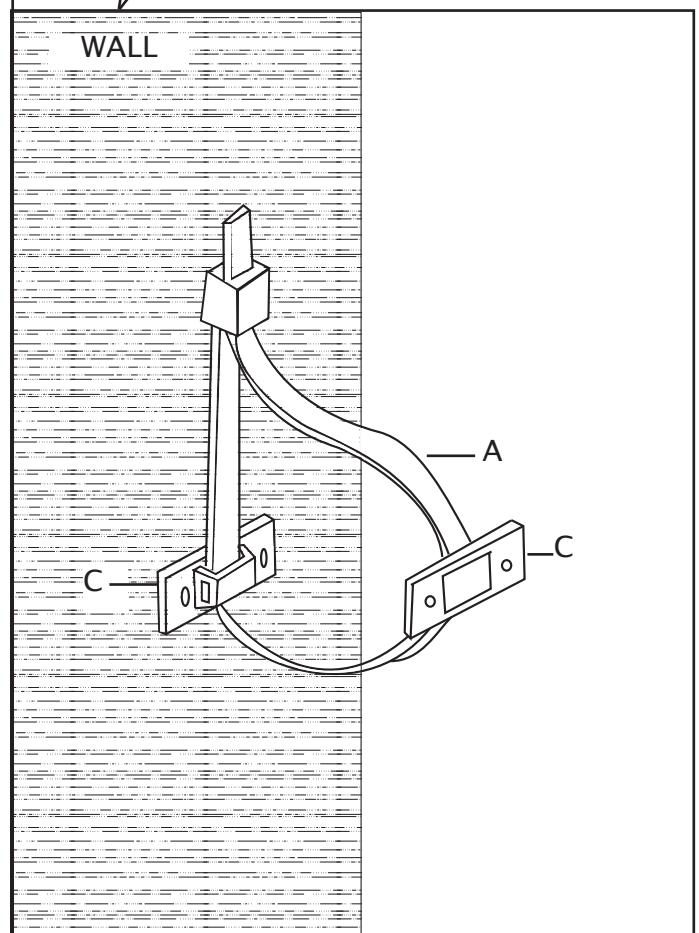
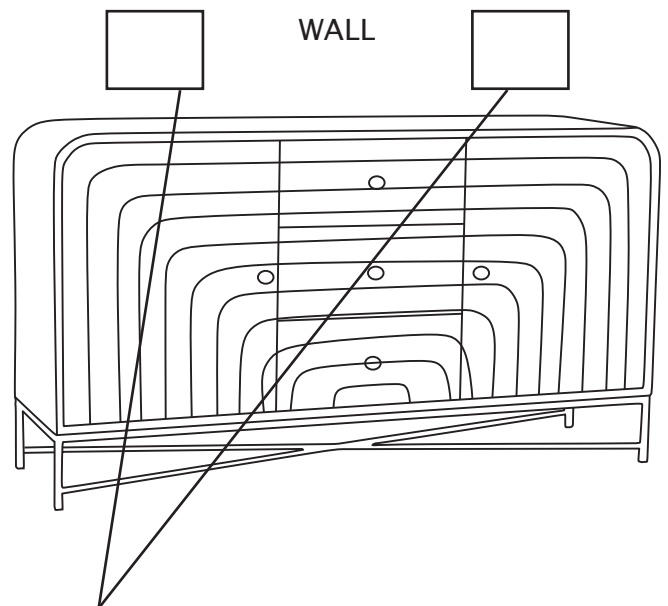


4. Place the credenza in the permanent location.
5. Place one bracket against wall in line with one bracket (C) on back of credenza. Mark the location of the holes in the bracket (C) on the wall. Drill holes at each marked location using a drill bit the appropriate size to accommodate the wall anchors (B).
6. Using a hammer, carefully insert one wall anchor (B) into each hole in wall.
7. Place bracket (C) on wall. Align holes in bracket (C) with holes in wall anchors (B). Thread one wall screw (E) into each hole in bracket (C) and into holes in wall anchors (B).
8. Repeat steps 5-7 to install remaining bracket (C) on wall.

**NOTE:** If wall screws (E) will be installed into wall studs, anchors are not needed.



9. Ensure that all screws (D and E) in brackets (C) on credenza and in wall are tight.
10. Place credenza against wall aligning brackets (C) on back of credenza with brackets (C) on wall. Slip narrow end of anti-tip strap (A) through slots in bracket (C) on wall then through slots in bracket (C) on back of credenza. Slip narrow end of anti-tip strap (A) through other end of anti-tip strap (A). Do not completely tighten anti-tip strap (A) until second anti-tip strap (A) is installed.
11. Repeat step 10 to install second anti-tip strap (A) to remaining brackets (C).
12. After both anti-tip straps (A) have been installed, completely tighten anti-tip straps (A). DO NOT over tighten.



MADE IN INDIA

### INSTRUCTIONS FOR LEVELING CABINET

These steps must be completed to ensure the doors of the cabinet operate properly.

#### TOOLS REQUIRED (NOT INCLUDED):

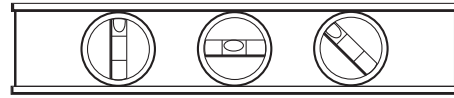
##### For cabinet with adjustable leveling glides:

- Bubble level

##### For cabinet without adjustable leveling glides:

- Bubble level
- Adhesive pads

BUBBLE LEVEL

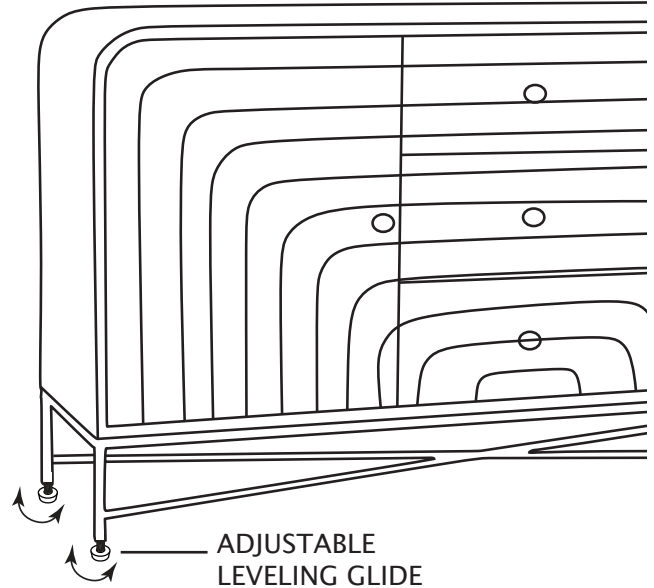


ADHESIVE PAD



##### For cabinet with adjustable leveling glides:

1. Position the cabinet in the desired location.
2. Place the level on the top of the cabinet along the width (left to right) of the cabinet and adjust the front adjustable leveling glides until the bubble in the level is centered.
3. Place the level on the top of the cabinet along the depth (front to back) of the cabinet and adjust the rear adjustable leveling glides until the bubble in the level is centered.
4. Check for plumb in both directions and adjust the leveling glides if necessary.



##### For cabinet without adjustable leveling glides:

1. Position the cabinet in the desired location.
2. Place the level on the top of the cabinet along the width (left to right) of the cabinet and add adhesive pads to the bottom of the front legs/feet until the bubble in the level is centered.
3. Place the level on the top of the cabinet along the depth (front to back) of the cabinet and add adhesive pads to the bottom of the rear legs/feet until the bubble in the level is centered.
4. Check for plumb in both directions and make adjustments by adding and/or removing adhesive pads if necessary.

