

IMPORTANT

Read all instructions before assembling.

WARNING: To avoid damages, assemble the product on a soft, clean surface.

CAUTION: Keep small parts out of reach of children.

Before assembly, remove all parts and part packages from carton. If anything is missing or damaged, please contact the retailer from which the product was purchased or contact customer service, 800-613-3261.

elk HOME

ANY QUESTIONS CALL: 800-613-3261

M-F 8:00AM-6:00PM ET

H0805-11453
Cocktail Table

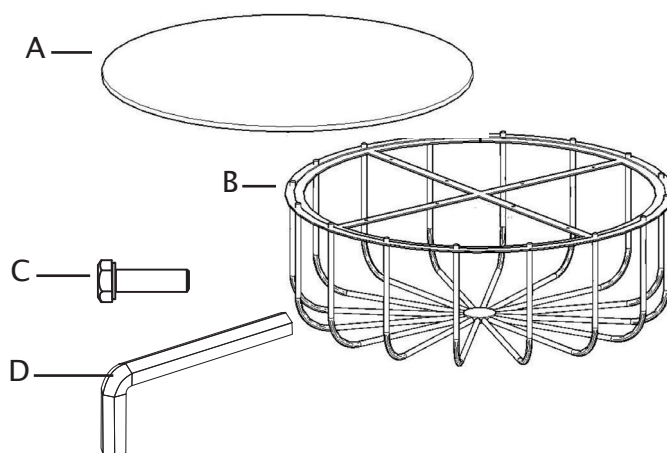
PACKAGE CONTENTS

Parts	Quantity	
A	MARBLE TABLE TOP	1
B	TABLE BASE	1
C	ALLEN BOLT	8
D	ALLEN KEY	1

NOTES:

Two-person assembly.

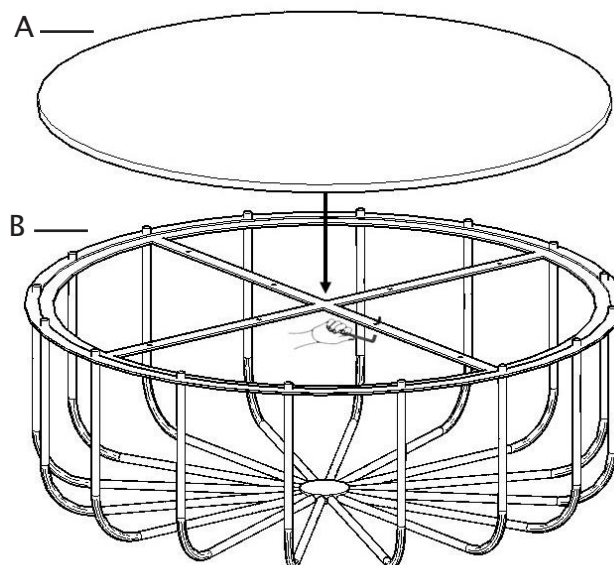
Approx. assembly time: 15 minutes

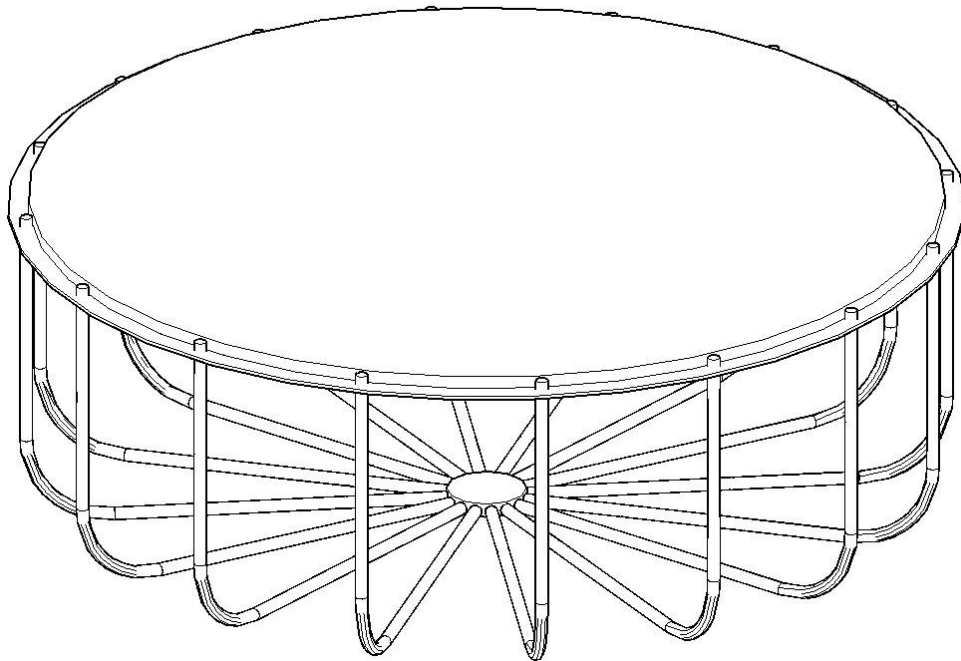


ASSEMBLY

IMPORTANT: It is recommended to place a blanket, cardboard or other cushioning material on the floor to prevent damage to floor and furniture piece during assembly.

1. Carefully place table base (B) down on floor on top of cushioning material.
2. Carefully place marble table top (A) down on top of table base (B).
3. From underside of marble table top (A), using allen key (D), thread each allen bolt (C) through holes in table base (B) and into holes in marble table top (A). Do not completely tighten allen bolts (C) until all allen bolts (C) have been installed.
4. After all allen bolts (C) have been installed, using allen key (D), completely tighten allen bolts (C). DO NOT over tighten.
5. Place table in permanent location.





IMPORTANT: During the life of the product, periodically check all screws and fixings to ensure they are secure.

CARE AND CLEANING

- Before using, wipe with a clean, dry cloth.
- Clean marble with cleaning products specified safe to use on marble.
- Dust and clean furniture with a clean, non-colored, lint-free cloth.
- Do not use any cleaners with chemicals, solvents or harsh abrasives.
- Do not put hot items directly on furniture surface.
- Do not place furniture in direct sunlight.
- Do not place furniture near heating or cooling vents.
- Do not write on furniture without a padded barrier to protect the surface.
- Do not place furniture outside. For indoor use only.
- Any liquid spilled on the table should be cleaned up immediately using a damp cloth.
- Avoid rubbing or scratching the surface with rough or abrasive objects.

PLEASE KEEP INSTRUCTIONS FOR FUTURE REFERENCE.