

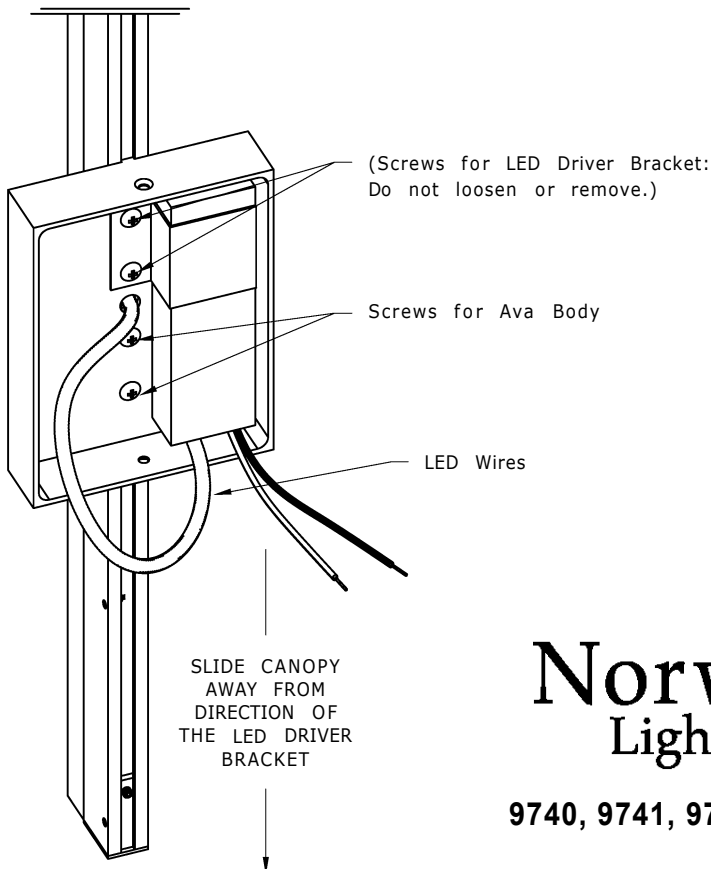
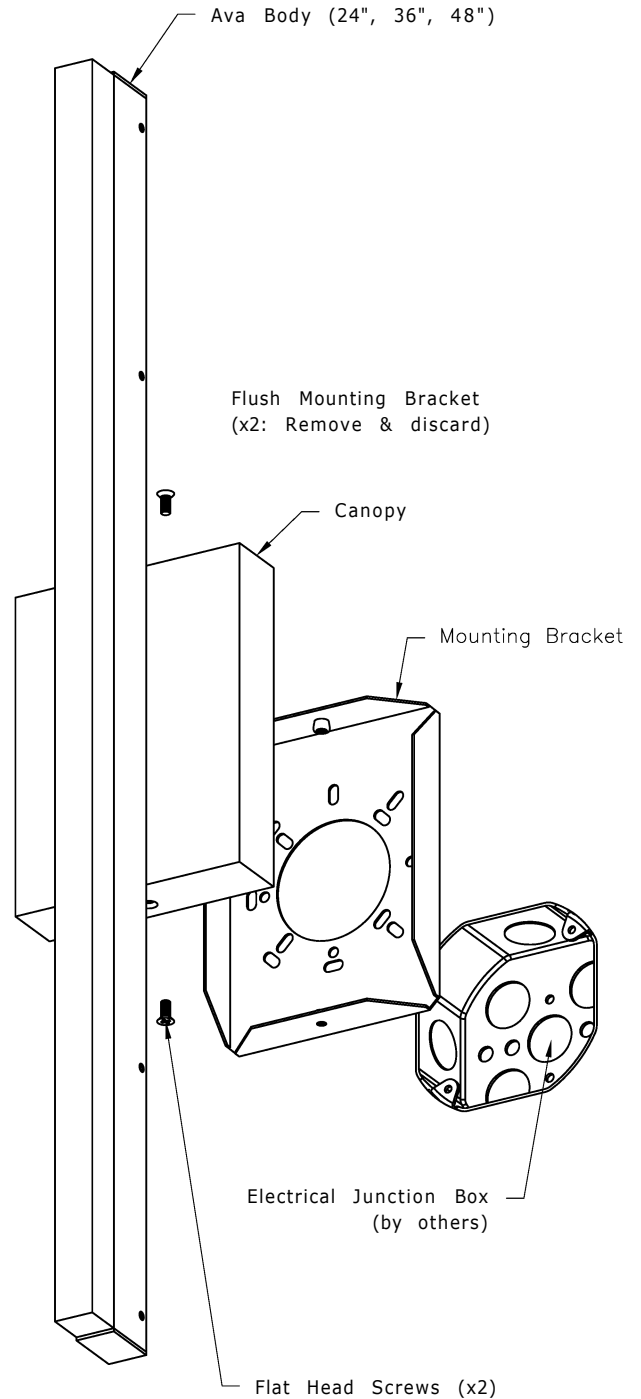
Be sure to read and understand all instruction sheets completely before beginning assembly or installation.

- All assembly and installation work must be performed by qualified personnel, in accordance with all applicable national and local building and electrical codes.
- Be aware that the weight of some fixtures may exceed the strength rating of the 4" electrical junction box or other such hardware at your site. In all cases, it is the responsibility of the contractor to properly secure the fixture to the structure, and to provide adequate support for the fixture.
- Due to constant production improvements, details of the design, material or finish may change in any way that will not significantly alter installed appearance or reduce function or performance.

© East Taunton, MA D2718 (5D8) 977-9991

AVA Installation with Canopy:

- A) Use the allen wrench (provided) to remove the (2) Flush Mounting Brackets from the back of the fixture. You will not need the Flush Mounting Brackets for installation using the Canopy.
- B) Optionally, you may choose to position the Ava Body off-center of the Canopy:
- B1) On the back side of the Canopy, locate the (2) screws that lock the Ava Body in place. Loosen (but do not remove) these screws. (Note that these are opposite the screws that hold the LED Driver Bracket.)
- B2) You may slide the Canopy along the length of the Lena Body, AWAY FROM the direction of the LED Driver Bracket. Do not slide in the other direction, as this will cause interference with the LED Wires.
- B3) As you slide the Canopy along the Ava Body, very carefully guide the LED Wires through the center hole. Keep the LED wires straight within the channel on the back of the Ava Body.
- B4) Tighten the (2) Screws to hold the Canopy in place.
- C) Secure the Mounting Bracket to the Electrical Junction Box.
- D) Make all necessary electrical connections between the Lena Canopy and the Electrical Junction Box: Green (or bare copper) to Green (or bare copper); White to White; Black to Black.
- E) Place the Lena Canopy over the Mounting Bracket and use the (2) Flat Head Screws to secure it in place.
- F) Restore power and test fixture operation to complete installation.



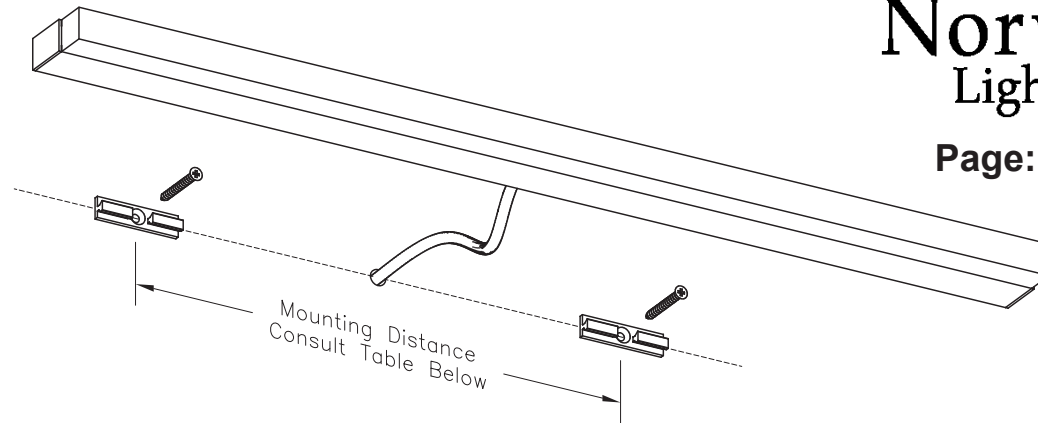
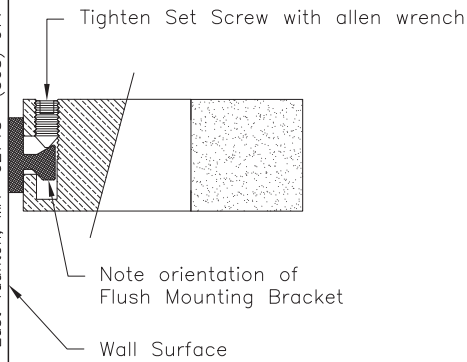
**Norwell**  
Lighting

9740, 9741, 9742 and 9743

REV.	BY	DATE	DESCRIPTION
INSTRUCTION SHEET			# OF 2
Ava Sconce Installation: With Wall Canopy			
DATE		FILENAME	
Apr 16, 2018		20180319-INST1	
AVA INSTALLATION SHEETS 20180319			

© East Taunton, MA 02718 (508) 977-9991

Be sure to read and understand all instruction sheets completely before beginning assembly or installation.  
 All assembly and installation work must be performed by qualified personnel, in accordance with all applicable national and local building and electrical codes.  
 Be aware that the weight of some fixtures may exceed the strength rating of the 4" electrical junction box or other such hardware at your site. In all cases, it is the responsibility of the contractor to properly secure the fixture to the structure, and to provide adequate support for the fixture.  
 Due to constant production improvements, details of the design, material or finish may change in any way that will not significantly alter installed appearance or reduce function or performance.

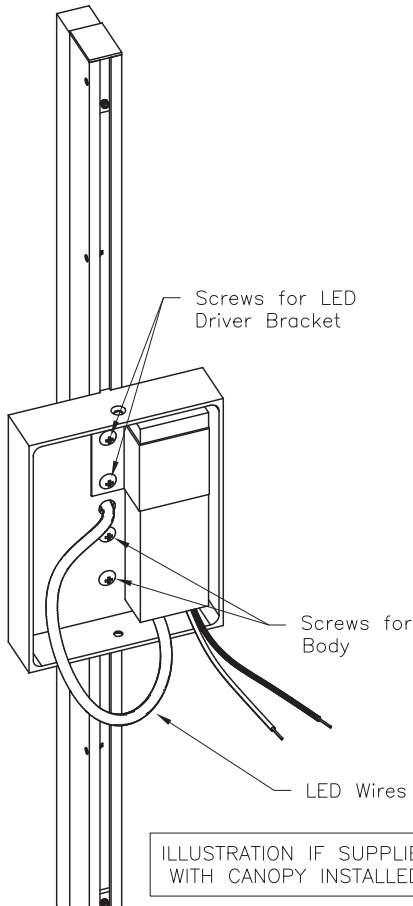


Installation without Canopy (remote driver mounting)

Note that this installation method requires access to the back side of the wall cavity, in order to remote mount the LED Driver. If you do not have such access, install the fixture in the traditional method using the Canopy.

If your fixture is supplied without the Canopy, skip down and begin with Step "E".

- A) Open the back side of the Canopy (shown to the left).
- B) Disconnect the LED Wires between the Body and the LED Driver.
- C) Remove the Screws for the LED Driver Bracket, and set the LED Driver aside.
- D) Remove the Screws for the Body. You may discard the Canopy – you will not need it for this installation method.
- E) Draw a straight line on the wall and mark the center of the fixture. Also mark the positions for the Flush Mounting Brackets, according to the table below. Drill a  $\varnothing 3/8$ " hole at the center point, through to the wall cavity.
- E) Use the allen wrench (supplied) to remove the (2) Flush Mounting Brackets from the back of the Body. Screw these to the wall using appropriate hardware (drywall anchors, if appropriate).
- F) Feed the LED Wires through the Center Hole and latch the Lena Body onto the Flush Mounting Brackets. (Note the orientation of the Flush Mounting Brackets in the detail, above left. Rotate them 180° if required.) Use the allen wrench to secure the Lena Body to the brackets.
- G) On the back side of the wall cavity, remote mount the LED Driver the driver will have to be mounted into a listed junction box, which you can buy separately from us according to all applicable electrical codes. Note that the LED Driver must be properly grounded.
- H) Reconnect the LED Wires to the LED Driver, and make all necessary electrical connections to the LED Driver: Green (or bare copper) to Green (or bare copper); White to White; Black to Black.
- I) Restore power and test fixture operation to complete installation.



	Actual Length of Body	Mounting Distance
24	24"	12"
36	35-3/4"	24"
48	49-1/4"	37"
60	60"	48"

REV.	BY	DATE	DESCRIPTION
INSTRUCTIONS			DRAWN BY: MDT SHEET #: 2 OF 2
Sconce Installation: NO WALL CANOPY			
DATE:	DWG:		
Apr 16, 2018	20180319-INST2		