

WARNING: DISCONNECT POWER AT THE MAIN FUSE BOX BEFORE INSTALLATION.

WARNING:

This fixture is intended for installation in accordance with the National Electrical Code (NEC) and all local code specifications. If you are not familiar with code requirements, installation by a certified electrician is recommended.

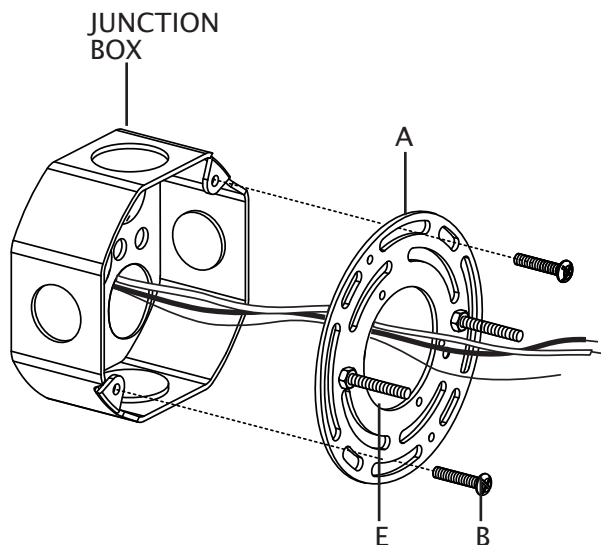
Before assembly, remove all parts and part packages from box. If anything is missing, please contact the retailer from which the product was purchased.



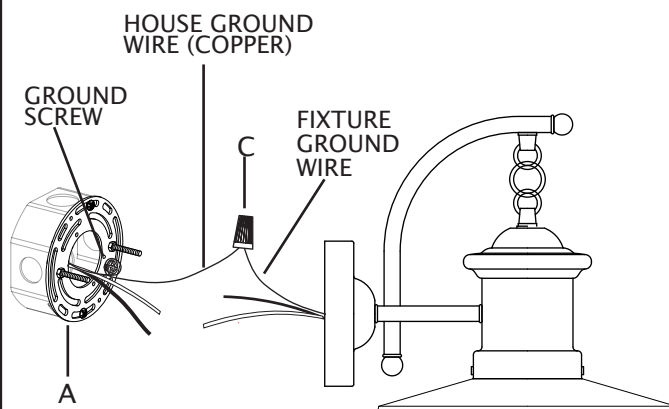
ANY QUESTIONS CALL: 800-613-3261
M-F 8:00AM-6:00PM ET

ITEM#: 42006/1

1. Position mounting bracket (A) so threaded ends of attached fixture mounting screws (E) are facing out.
2. Carefully pull house wires through large hole in mounting bracket (A).
3. Align holes in mounting bracket (A) with holes in junction box. Make sure fixture mounting screws (E) are level.
4. Thread each junction box screw (B) into holes in mounting bracket (A) and into holes in junction box. Tighten junction box screws (B) to secure mounting bracket (A) to junction box. **CAUTION:** Make sure house wires are pulled completely through hole in mounting bracket. **DO NOT** pinch wires between mounting bracket and wall.



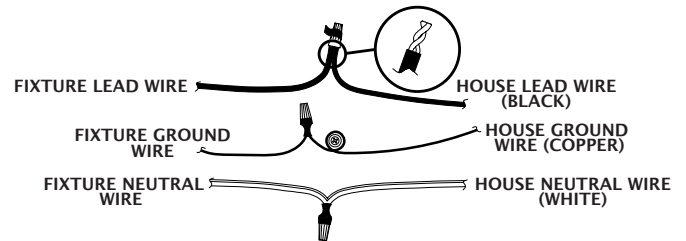
5. Strip 3/4" of insulation from ends of fixture wires.
6. Slightly loosen ground screw on mounting bracket (A). Do not completely remove ground screw. Wrap house ground wire (copper) around ground screw, leaving enough ground wire to attach to fixture ground wire. Twist end of fixture ground wire and end of house ground wire together. Twist wire nut (C) onto ends of wires. Completely tighten wire nut (C). Reference chart below for correct wire connections.



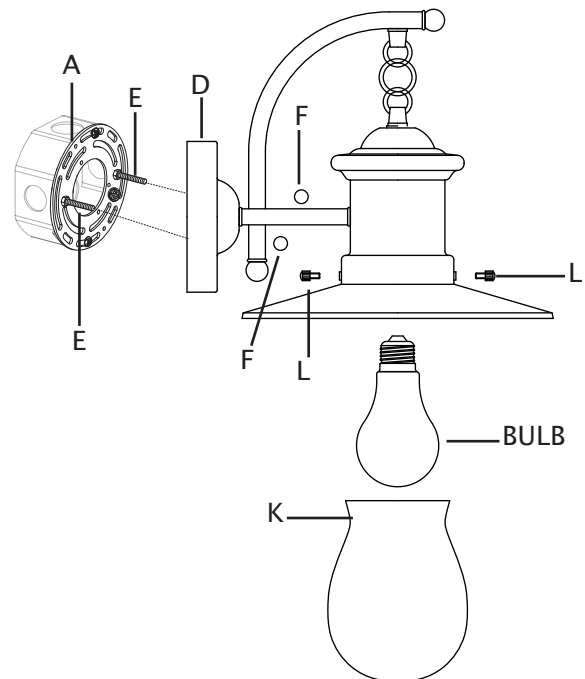
Connect Supply (House) Ground Copper Wire to:
Bare Copper Wire or,
Bare Silver Wire or,
Green Insulated Wire.

7. Twist end of house lead wire (black) and end of fixture lead wire together. Twist wire nut (C) onto ends of wires. Completely tighten wire nut (C). Twist end of house neutral wire (white) and end of fixture neutral wire together. Twist wire nut (C) onto ends of wires. Completely tighten wire nut (C). Reference chart to the right for correct wire connections.
8. Wrap electrical tape (not included) around wire nuts (C) and wires. Ensure wires are securely fastened into wire nuts.
9. Carefully push all wires and wire nuts into junction box.

Connect Black Lead Supply (House) Wire to:	Connect White Neutral Supply (House) Wire to:
Black Wire or, *Parallel Cord (Round and Smooth) or,	White Wire or, *Parallel Cord (Square and Ridged) or,
No printed words on wire insulation or,	Printed words on wire insulation or,
Insulated Wire (other than green) with Copper Conductor.	Insulated Wire (other than green) with Silver Conductor.
*When parallel wire (SPT 1 & SPT 2) is used: The lead wire is round in shape or smooth. The neutral wire is square in shape or ridged.	



10. Place backplate (D) over mounting bracket (A). Pass holes in backplate (D) over ends of fixture mounting screws (E). **CAUTION:** Do not pinch wires between backplate and wall.
11. Screw one threaded cap (F) onto end of each fixture mounting screw (E). Tighten both threaded caps (F) to secure fixture (D) to wall. **DO NOT** over tighten.
12. Screw recommended bulb (E26 Edison bulb type, not included.) into socket. Verify correct bulb wattage marked on socket of fixture. **WARNING:** **DO NOT** exceed maximum bulb wattage.
13. Pass hole in top of shade (K) over bulb and socket. Fit top of shade (K) inside socket cup. Thread one thumbscrew (L) into each hole along edge of socket cup. Equally tighten thumbscrews (L) to secure shade (K) in place. **DO NOT** over tighten.



Instructions for Mounting Fixture Outdoors or in Wet Location

1. Mounting surface should be clean, dry, flat and 1/4" larger than canopy on all sides. Any gaps between mounting surface and canopy exceeding 3/16" should be corrected as required.
2. Apply silicone caulking compound around top and sides of canopy where back of canopy meets wall surface to prevent water from seeping into junction box. Leave bottom unsealed so moisture can drain out.

MAINTENANCE NOTE: Only use a soft damp cloth to clean fixture as needed. **DO NOT** use harsh chemicals on fixture. Harsh chemicals may damage fixture.

Coastal conditions may cause mineral and residue build-up on fixture. It is recommended that customers in coastal areas clean all external surfaces of fixture once every two weeks with a wet cloth.

