

**POLYGON**

1175 - SMALL

1176 - LARGE

1177 - POST

Project Name \_\_\_\_\_

Fixture Type \_\_\_\_\_

Quantity \_\_\_\_\_

Norwell | Lighting

I L E X

Custom Metalcraft



Small Sconce  
1175-MB-WAV

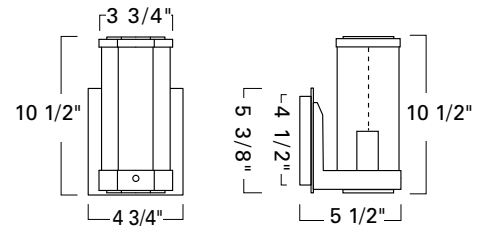


Large Sconce  
1176-MB-WAV

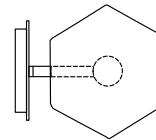


Post  
1177-MB-WAV

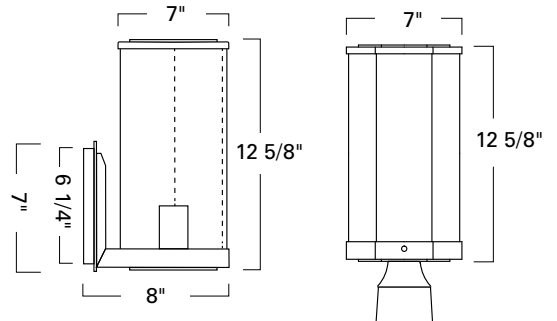
1175 Small



1176 Large Top View



1177 Post



Product Name / Model / Dimensions					Finish Options	Diffuser	Lamping Options
POLYGON - Small Sconce 1175, Large Sconce 1176, Post 1177					Standard Matte Black / MB	Standard Wavy Glass / WAV	Standard 1175 -1-60 Watt Candelabra  1176 & 1177 - 1-60 Watt Medium Base T10 style recommended
	Height	Width	Projection	TTO*			
1175	10 1/2"	4 3/4"	5 1/2"	7 7/8"			
1176	12 5/8"	7"	8"	9 1/8"			
1177	12 5/8"	7"	1175 Backplate 5" H X 4 3/4" W 1176 Backplate 7" H X 5" W				

UL/ETL Listed and Wet Location, Outdoor Rated \*Top of fixture to center point of junction box

REV-1-2020

**DISCLAIMER:**

Norwell Lighting and its companies, ILEX Architectural Lighting and Custom Metalcraft reserve the right to change specifications related to its product at anytime. USA Made indicates product is manufactured in East Taunton, Massachusetts facility. Phone: 508-823-1751