

**CAUTION:** Be sure the power is turned off by either removing the fuse or closing the circuit breaker. Installation must be in compliance with National, State and Local electrical codes. We strongly advise using a licensed electrician.

To clean your fixture, lightly dust with a soft cloth. **DO NOT USE** abrasives or ammonia.

This Norwell light fixture has a mounting plate to secure it to a single-gang switch box or a 4" octagonal electrical junction box.

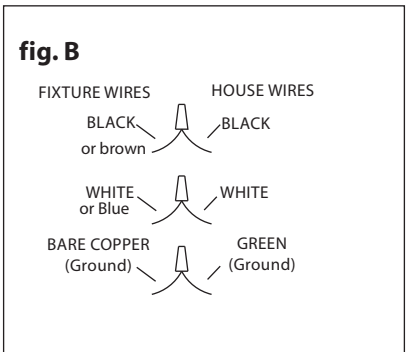
1. Attach the mounting bar/plate to the electrical junction box.
2. Connect the electrical wires from the junction box to the electrical wires of the light.
3. Secure the fixture to the mounting bar/plate.

## A. Attaching the Mounting Bar/Plate

1. Carefully unpack your new fixture and lay all parts on a clean surface. Be careful not to lose any small parts necessary for the installation.
2. Pull the electrical wires part way out of the junction box for easier access.
3. Attach your light fixture's mounting bar to the electrical junction-box

## B. Connecting the Electrical Wires

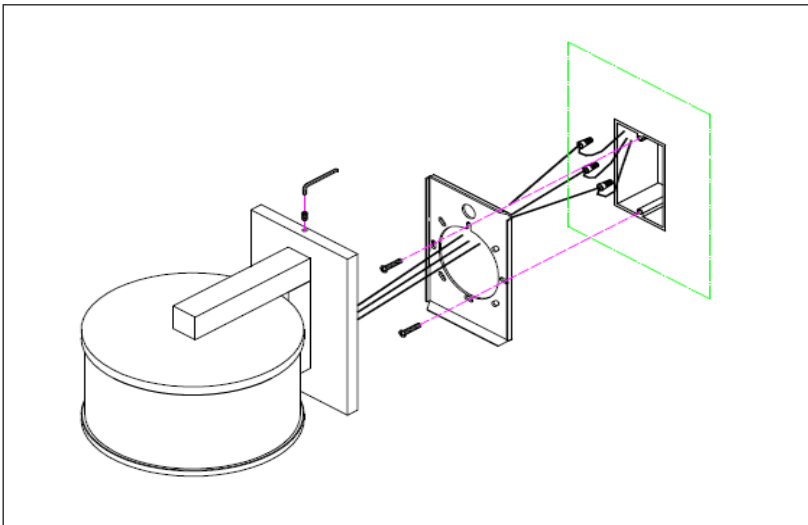
1. Connect the light fixture wires to the wires from the junction box as shown (fig. B) (white or blue ) to white, (black or brown) to black and ground to ground. If there is no ground wire from the junction box, connect the fixture ground wire (green or copper) to the mounting bar with the green screw provided. Be certain that all connections are tight and **NO** bare wire is visible. (note: ground wire will show bare wire.)
2. Tuck the wires into the junction box.
3. for wet location installation :Caulk around the backplate with silicone where contact with the wall and leave a space at the bottom as exit of moisture.



## C. Securing the Light Fixture to the Mounting Bar

1. Place the light fixture against the mounting plate and secure by using the set screws and allen wrench provided.
2. restore the power to the junction box
3. Your installation is complete.

1126



1125

